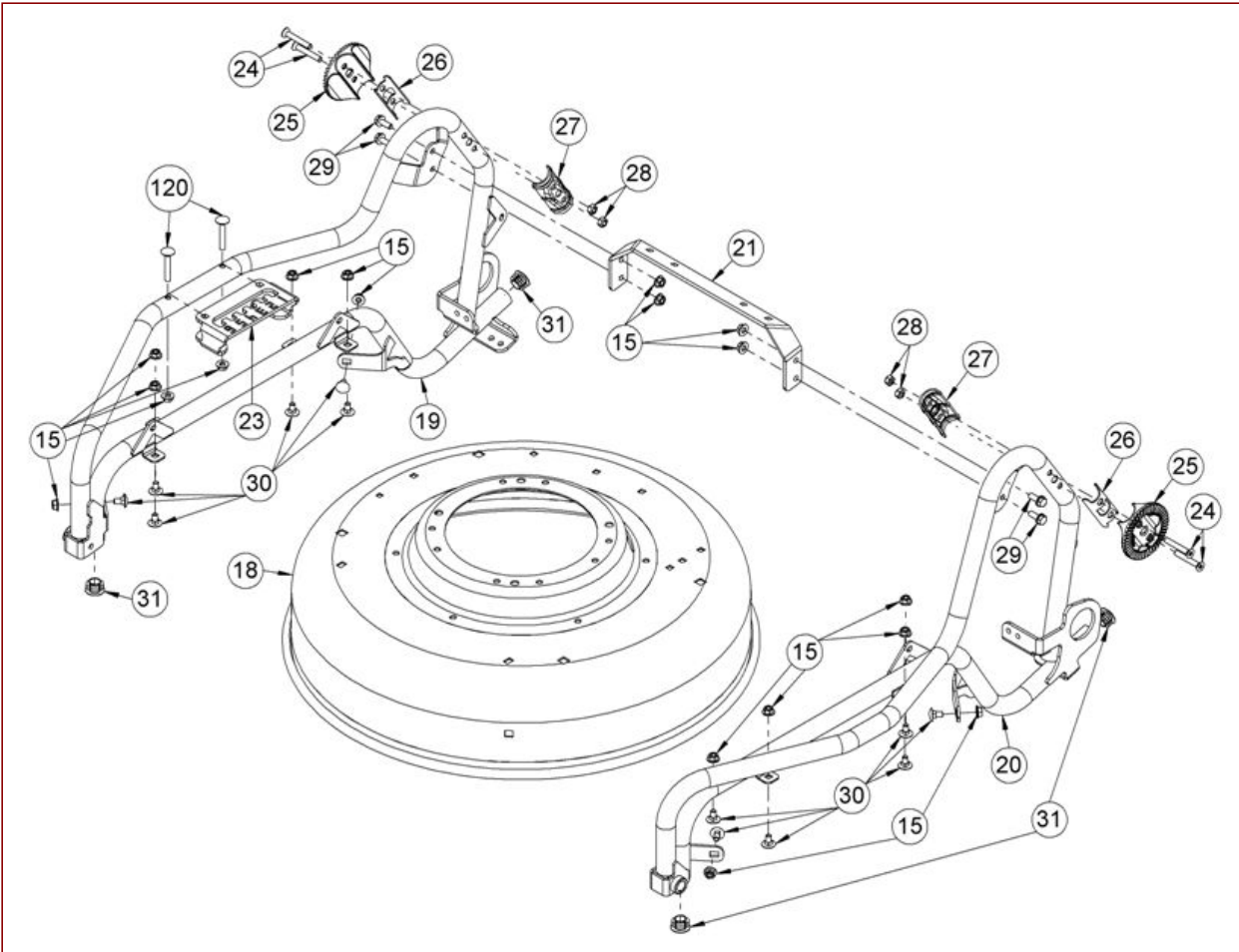


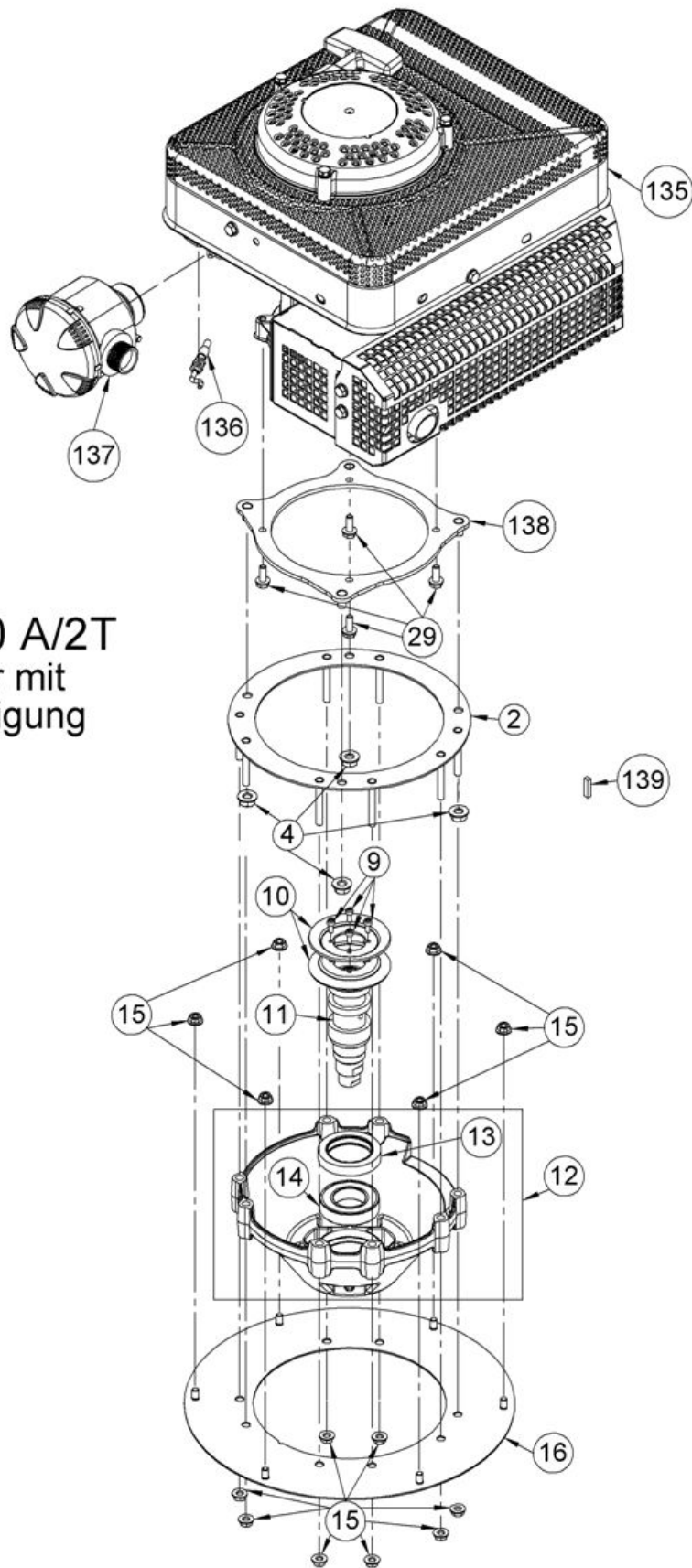
AS 510 4T A and AS 510 A ProClip – ET documentation – Blade cover



AS 510 4T A and AS 510 A ProClip – ET documentation – Blade cover

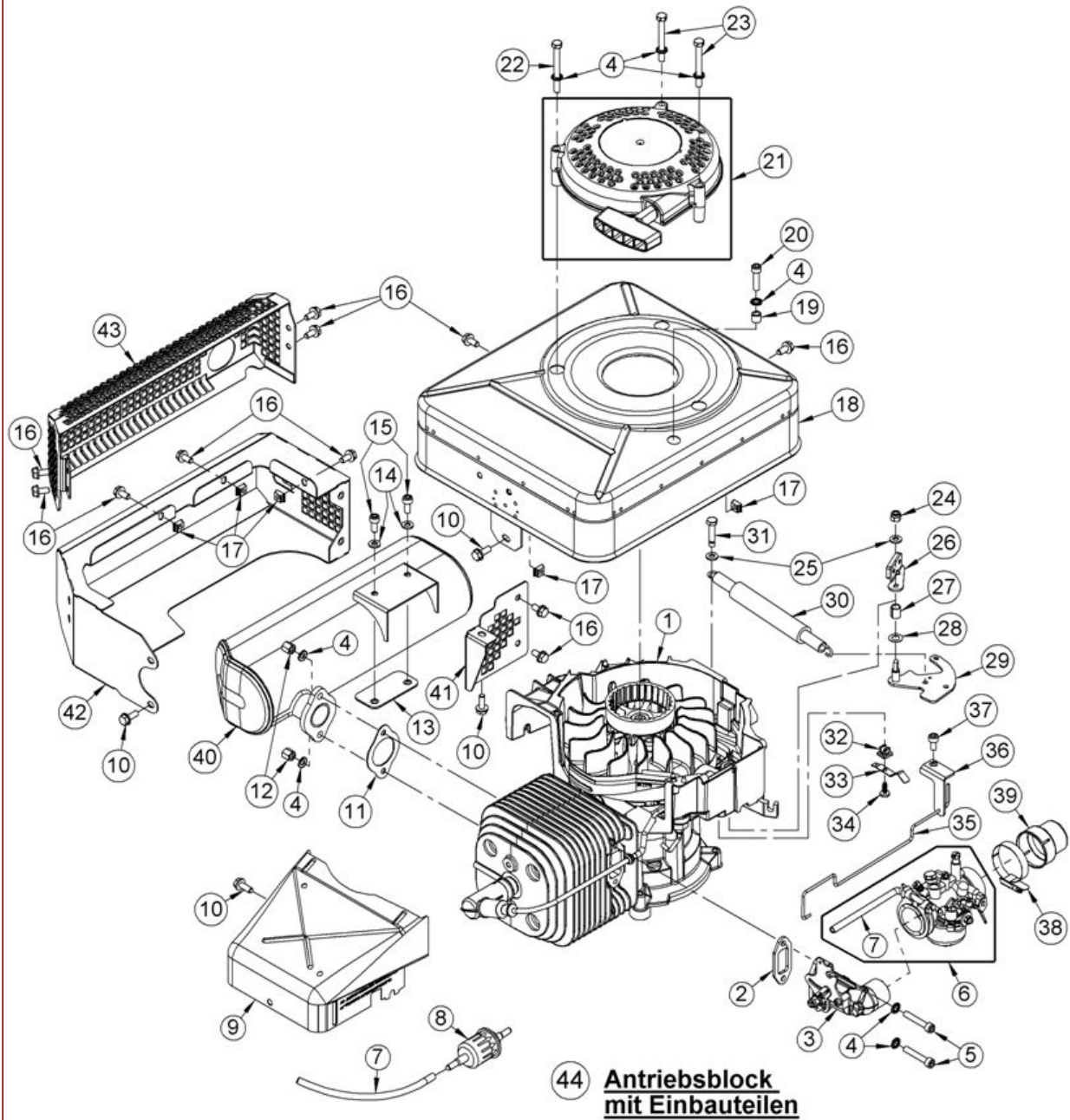
Pos	Art-Nr.	E-Nr.	Menge	Beschreibung	Modell	Info
15	G00007041	E05975	18	Selflocking nut with serrated bearing (3		
18	G51020001	E11839	1	Hood		
19	G51020020	E11850	1	Pipe frame right		
20	G51020021	E11851	1	Pipe frame left		
21	G51020016	E11846	1	Tank strut		
23	G51020014	E11845	1	Height adjustment locking plate		
24	G00009163	E11803	4	Countersunk screw with inside Torx (10 S		
25	G51022001	E11859	2	Bar height adjustment		
26	G00008148	E11878	2	Vibration damper (2 Stk.)		
27	G51022002	E11860	2	Bearing shell		
28	G07906002	E06667	4	Self-locking hex nut (10 Stk.)		
29	G00009094	E07247	4	Locking screw (2 Stk.)		
30	G07827008	E04991	12	Mushroom head square neck bolt (3 Stk.)		
31	G00029026	E11898	4	Lamella plugs (10 Stk.)		
120	G07827023	E11895	2	Mushroom head square neck bolt (10 Stk.)		

AS 510 A/2T
Motor mit
Befestigung



AS 510/ AS 420/ AS 470 Mulching mower – AS 510 2T A and AS 510 A/2T ProClip – Motor with fixing

Pos	Art-Nr.	E-Nr.	Menge	Beschreibung	Modell	Info
2	G51023005	E11869	1	Mounting plate 4T		
4	G00007042	E06037	4	Selflocking nut with serrated bearing (3		
9	G07833029	E08544	4	Hexagon socket head cap screw (5 Stk.)		
10	G04825016	E10457	2	Belt pulley dw 70		
11	G51023002	E11867	1	Blade carrier		
12	G51023004	E11868	1	Blade bearing pot		
13	G07858019	E11883	1	Shaft seal ring		
14	G07830028	E06855	1	Deep groove ball bearing		
15	G00007041	E05975	14	Selflocking nut with serrated bearing (3		
16	G51020019	E11849	1	Cover		
29	G00009094	E07247	4	Locking screw (2 Stk.)		
135	G00680069	E11912	1	Driving unit + filter		
136	G00020170	E11945	1	Engine brake cable AS 510 A/2T		
137	G00605031	E10789	1	Air filter total		
138	G51023400	E12288	1	Mounting plate 2T		
139	G07865027	E10595	1	Feather key (2 Stk.)		



AS 480/2T-Kat
ab Serien Nr.
020311040001

AS 530/2T-Kat
ab Serien Nr.
020511040001

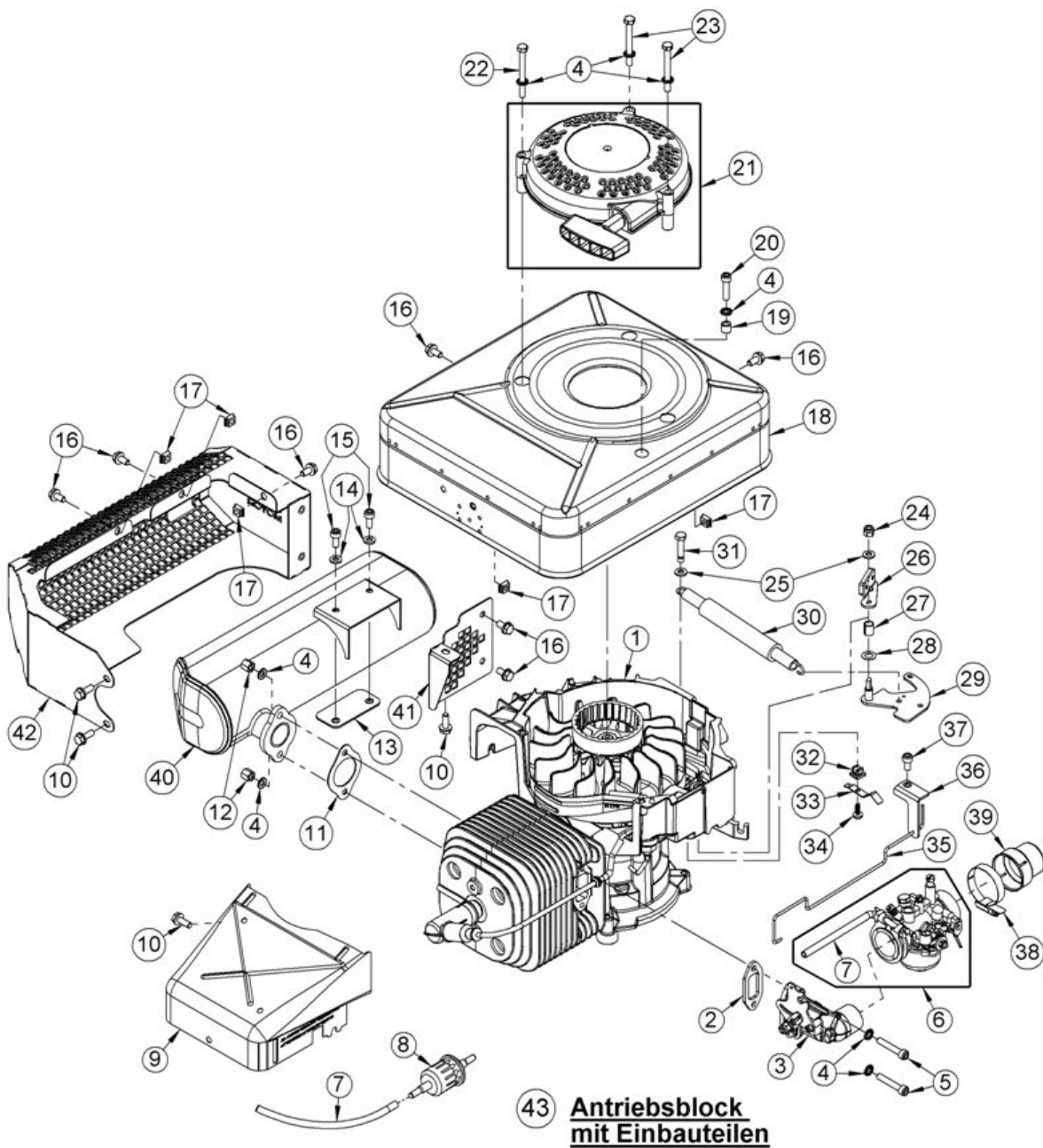
AS 510 A/2T ProClip
ab Serien Nr.
024311110001

AS 480/2T MK-Kat
ab Serien Nr.
020411040001

AS 530/2T MK-Kat
ab Serien Nr.
020611040001

AS 510/ AS 420/ AS 470 Mulching mower – AS 510 2T A and AS 510 A/2T ProClip – Drive block to serial No. 024313030035

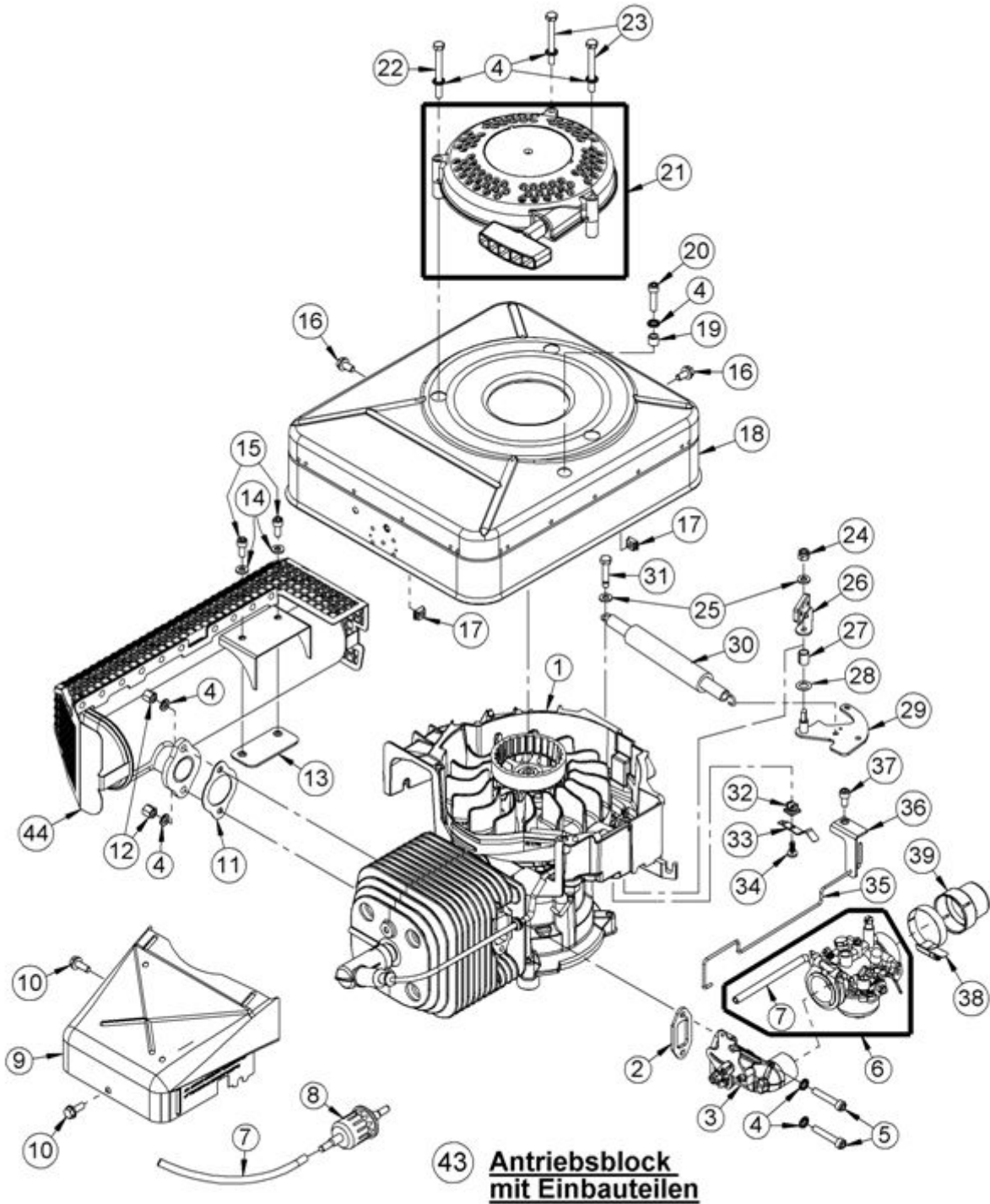
Pos	Art-Nr.	E-Nr.	Menge	Beschreibung	Modell	Info
1	G00680061	E12390	1	Bare engine PLUS		
2	G00105038	E03487	1	Insulating plate		
3	G00105083	E11783	1	Intake manifold with shut-off panel		
4	G00042006	E05862	8	Detent edge disc (5 Stk.)		
5	G07833009	E04934	2	Hexagon socket head cap screw (3 Stk.)		
6	G00605026	E10797	1	Carburetor with hose cat. engine		
7	G00150085	E04585	1	Fuel hose 1 metre		
8	G00023004	E12374	1	Filter		
9	G00107036	E10790	1	Cooling air guide		
10	G07913004	E10189	4	Hexagon screw with flange		
11	G00109003	E03366	1	Exhaust gasket		
12	G00007025	E03706	2	Special nut (10 Stk.)		
13	G00109071	E11794	1	Threaded plate		
14	G07809006	E01940	2	Disc (10 Stk.)		
15	G07833042	E11516	2	Hexagon socket head cap screw (10 Stk.)		
16	G07913008	E10836	11	Flange screw (20 Stk.)		
17	G00007047	E06934	5	Punch and press-in nut		
18	G00110027	E11782	1	Engine cover		
19	G00110013	E03699	1	Spacer sleeve (5 Stk.)		
20	G07833007	E04854	1	Hexagon socket head cap screw (4 Stk.)		
21	G00180086	E10820	1	Starter total + SK plate		
22	G07837025	E04227	1	Hexagon screw		
23	G07837014	E03744	2	Hexagon screw (5 Stk.)		
24	G07846008	E03829	1	Self-locking hex nut (10 Stk.)		
25	G07809006	E01940	2	Disc (10 Stk.)		
26	G00134006	E06132	1	Brake lever with brake lining		
27	G00028021	E11921	1	DU bush		
28	G07812006	E07549	1	Spring disc (5 Stk.)		
29	G00134038	E11749	1	Actuating lever		
30	G00180136	E11810	1	Draw spring		
31	G00134040	E11793	1	Screw spring bearing		
32	G00008078	E05463	1	Insulating piece (3 Stk.)		
33	G00134016	E06343	1	Short circuiting contact		
34	G07875018	E07950	1	Raised cross-head sheet metal screw (5 S		
35	G00134028	E10765	1	panel rod		
36	G00134039	E11811	1	Panel rod bearing		
37	G07833013	E05657	1	Hexagon socket head cap screw (3 Stk.)		
38	G00034013	E04242	1	Hose clamp		
39	G00605004	E04241	1	Adapter for silencer		
40	G00609042	E11750	1	Replaced by G00605056		
	G00609056	G00609056	1	Catalyst exhaust system 4 wheel mower		
41	G00609049	E11821	1	Catalyst cover holder 4 wheel mower		
42	G00609046	E11820	1	Cover catalyst four wheel		
43	G00609041	E10793	1	Catalyst protective grille 4 wheel mover		
44	G00680069	E11912	1	Driving unit + filter		



AS 510 A/2T
ab Serien-Nr. 0243 13 03 0036

AS 510/ AS 420/ AS 470 Mulching mower – AS 510 2T A and AS 510 A/2T ProClip – Drive block from serial No. 024313030036

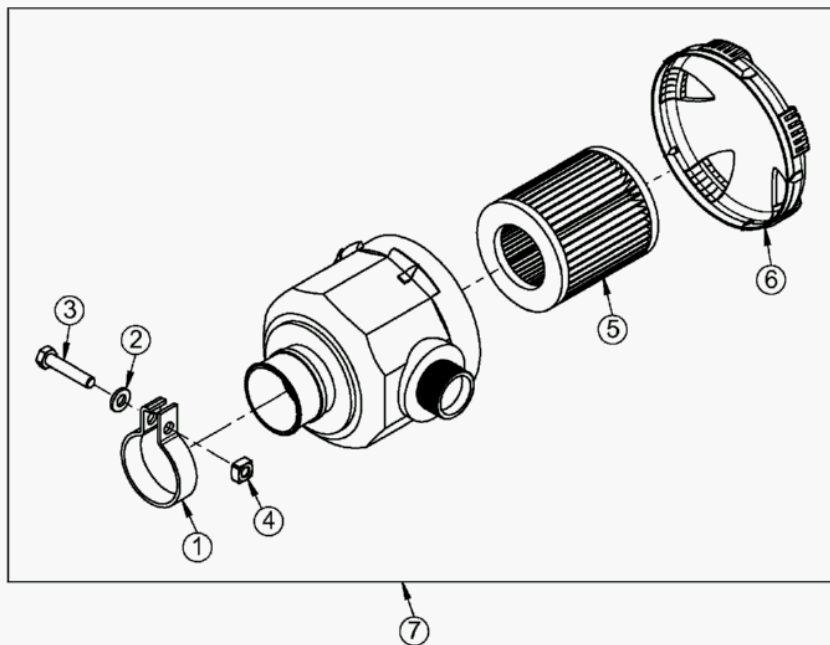
Pos	Art-Nr.	E-Nr.	Menge	Beschreibung	Modell	Info
1	G00680061	E12390	1	Bare engine PLUS		
2	G00105038	E03487	1	Insulating plate		
3	G00105083	E11783	1	Intake manifold with shut-off panel		
4	G00042006	E05862	8	Detent edge disc (5 Stk.)		
5	G07833009	E04934	2	Hexagon socket head cap screw (3 Stk.)		
6	G00605026	E10797	1	Carburetor with hose cat. engine		
7	G00150085	E04585	1	Fuel hose 1 metre		
8	G00023004	E12374	1	Filter		
9	G00107036	E10790	1	Cooling air guide		
10	G07913004	E10189	4	Hexagon screw with flange		
11	G00109003	E03366	1	Exhaust gasket		
12	G00007025	E03706	2	Special nut (10 Stk.)		
13	G00109071	E11794	1	Threaded plate		
14	G07809006	E01940	2	Disc (10 Stk.)		
15	G07833042	E11516	2	Hexagon socket head cap screw (10 Stk.)		
16	G07913008	E10836	7	Flange screw (20 Stk.)		
17	G00007047	E06934	5	Punch and press-in nut		
18	G00110027	E11782	1	Engine cover		
19	G00110013	E03699	1	Spacer sleeve (5 Stk.)		
20	G07833007	E04854	1	Hexagon socket head cap screw (4 Stk.)		
21	G00180086	E10820	1	Starter total + SK plate		
22	G07837025	E04227	1	Hexagon screw		
23	G07837014	E03744	2	Hexagon screw (5 Stk.)		
24	G07846008	E03829	1	Self-locking hex nut (10 Stk.)		
25	G07809006	E01940	2	Disc (10 Stk.)		
26	G00134006	E06132	1	Brake lever with brake lining		
27	G00028021	E11921	1	DU bush		
28	G07812006	E07549	1	Spring disc (5 Stk.)		
29	G00134038	E11749	1	Actuating lever		
30	G00180136	E11810	1	Draw spring		
31	G00134040	E11793	1	Screw spring bearing		
32	G00008078	E05463	1	Insulating piece (3 Stk.)		
33	G00134016	E06343	1	Short circuiting contact		
34	G07875018	E07950	1	Raised cross-head sheet metal screw (5 S		
35	G00134028	E10765	1	panel rod		
36	G00134039	E11811	1	Panel rod bearing		
37	G07833013	E05657	1	Hexagon socket head cap screw (3 Stk.)		
38	G00034013	E04242	1	Hose clamp		
39	G00605004	E04241	1	Adapter for silencer		
40	G00609042	E11750	1	Replaced by G00605056		
	G00609056	G00609056	1	Catalyst exhaust system 4 wheel mower		
41	G00609049	E11821	1	Catalyst cover holder 4 wheel mower		
42	G00609046	E11820	1	Cover catalyst four wheel		
43	G00680069	E11912	1	Driving unit + filter		



AS 510 2T A
ab Serien-Nr. 0243 15 06 0001

AS 510/ AS 420/ AS 470 Mulching mower – AS 510 2T A and AS 510 A/2T ProClip – Drive block from serial No. 024315060001

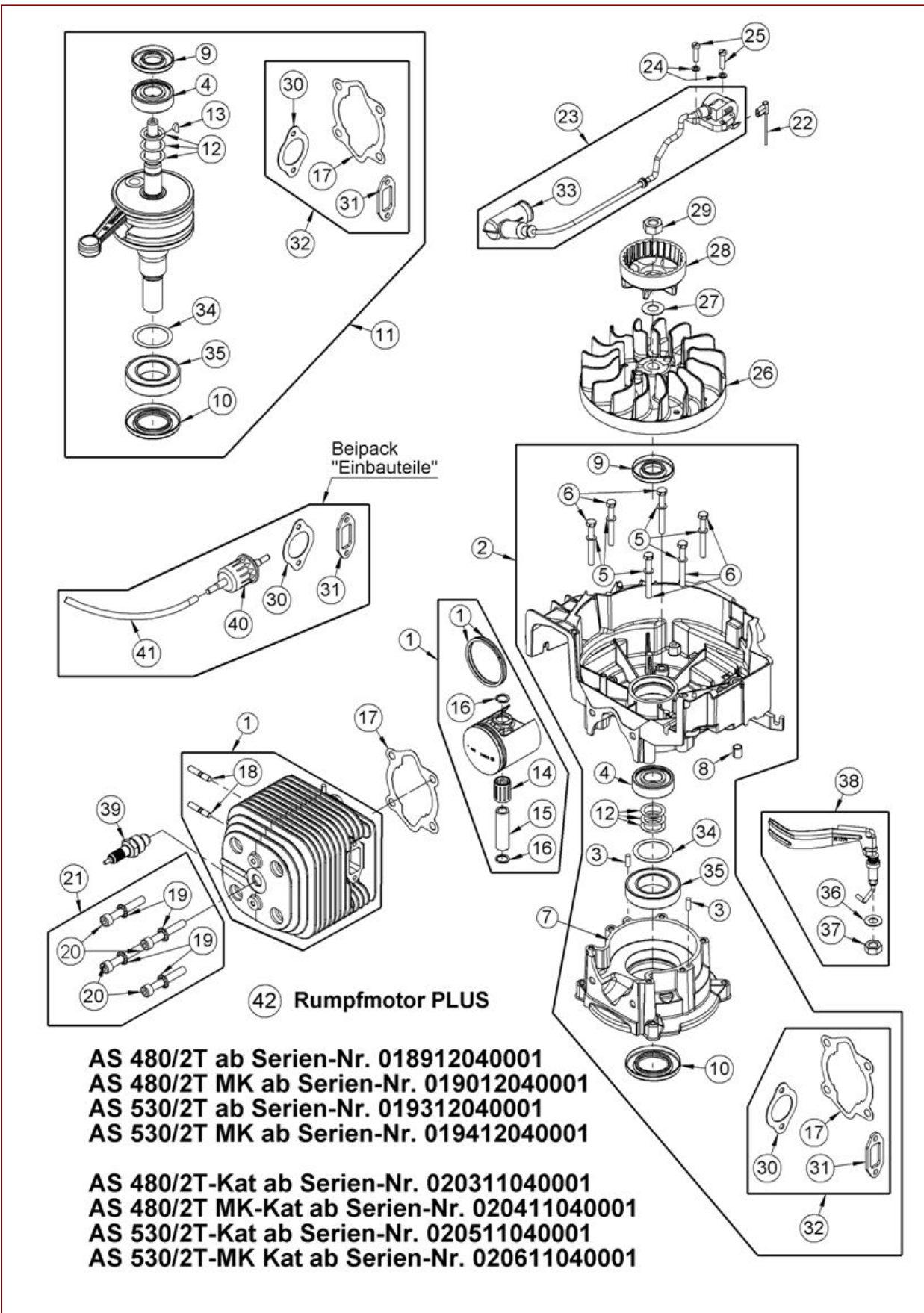
Pos	Art-Nr.	E-Nr.	Menge	Beschreibung	Modell	Info
1	G00680061	E12390	1	Bare engine PLUS		
2	G00105038	E03487	1	Insulating plate		
3	G00105083	E11783	1	Intake manifold with shut-off panel		
4	G00042006	E05862	8	Detent edge disc (5 Stk.)		
5	G07833009	E04934	2	Hexagon socket head cap screw (3 Stk.)		
6	G00605026	E10797	1	Carburetor with hose cat. engine		
7	G00150085	E04585	1	Fuel hose 1 metre		
8	G00023004	E12374	1	Filter		
9	G00107036	E10790	1	Cooling air guide		
10	G07913004	E10189	2	Hexagon screw with flange		
11	G00109003	E03366	1	Exhaust gasket		
12	G00007025	E03706	2	Special nut (10 Stk.)		
13	G00109071	E11794	1	Threaded plate		
14	G07809006	E01940	2	Disc (10 Stk.)		
15	G07833042	E11516	2	Hexagon socket head cap screw (10 Stk.)		
16	G07913008	E10836	2	Flange screw (20 Stk.)		
17	G00007047	E06934	2	Punch and press-in nut		
18	G00110027	E11782	1	Engine cover		
19	G00110013	E03699	1	Spacer sleeve (5 Stk.)		
20	G07833007	E04854	1	Hexagon socket head cap screw (4 Stk.)		
21	G00180086	E10820	1	Starter total + SK plate		
22	G07837025	E04227	1	Hexagon screw		
23	G07837014	E03744	2	Hexagon screw (5 Stk.)		
24	G07846008	E03829	1	Self-locking hex nut (10 Stk.)		
25	G07809006	E01940	2	Disc (10 Stk.)		
26	G00134006	E06132	1	Brake lever with brake lining		
27	G00028021	E11921	1	DU bush		
28	G07812006	E07549	1	Spring disc (5 Stk.)		
29	G00134038	E11749	1	Actuating lever		
30	G00180136	E11810	1	Draw spring		
31	G00134040	E11793	1	Screw spring bearing		
32	G00008078	E05463	1	Insulating piece (3 Stk.)		
33	G00134016	E06343	1	Short circuiting contact		
34	G07875018	E07950	1	Raised cross-head sheet metal screw (5 S		
35	G00134028	E10765	1	panel rod		
36	G00134039	E11811	1	Panel rod bearing		
37	G07833013	E05657	1	Hexagon socket head cap screw (3 Stk.)		
38	G00034013	E04242	1	Hose clamp		
39	G00605004	E04241	1	Adapter for silencer		
43	G00680069	E11912	1	Driving unit + filter		
44	G00609056	G00609056	1	Catalyst exhaust system 4 wheel mower		



Luftfilter vollst.

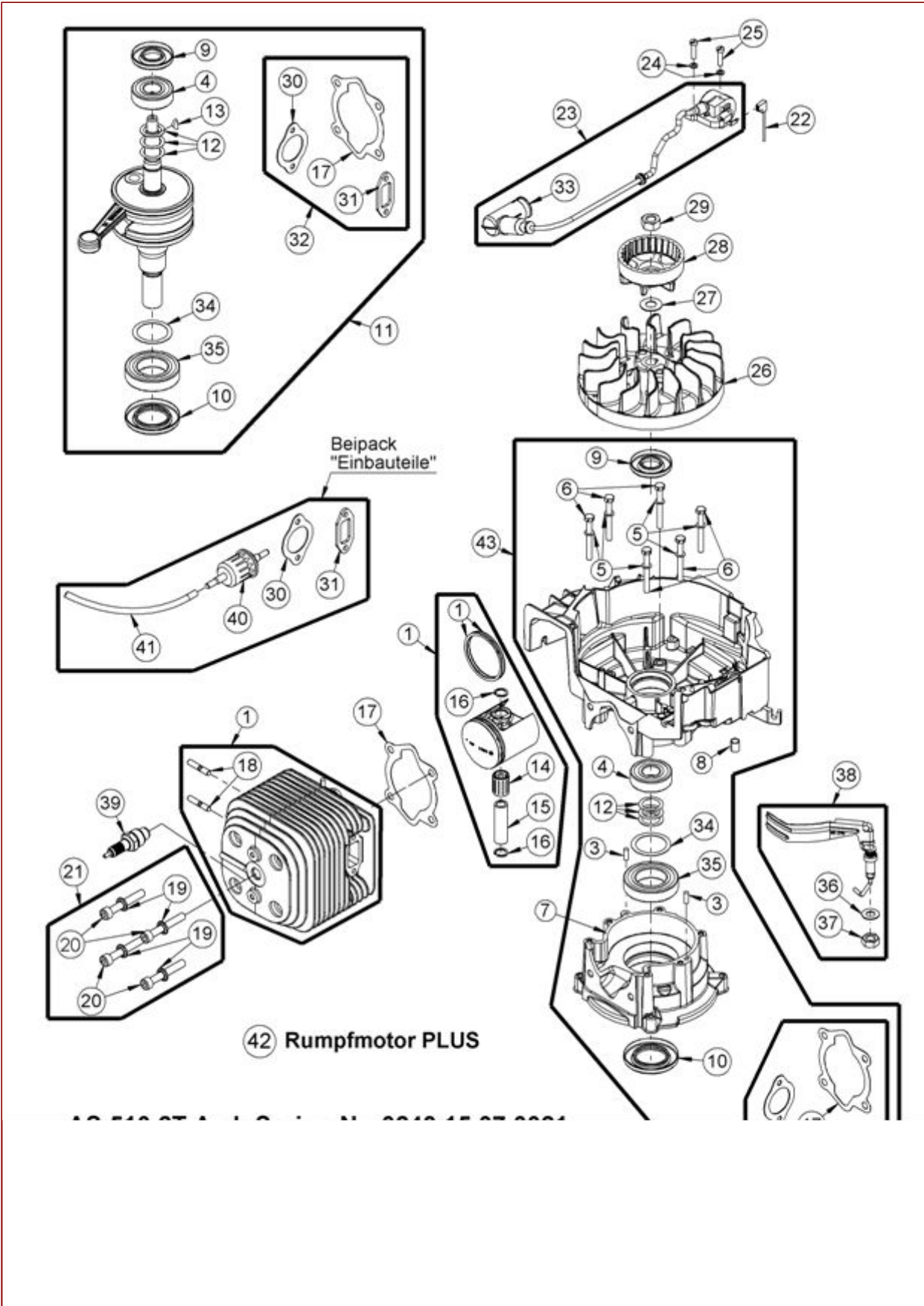
AS 45 B4-Kat from serial No. 021011040001 – ET documentation – Air filter

Pos	Art-Nr.	E-Nr.	Menge	Beschreibung	Modell	Info
1	G00034024	E07547	1	Pipe clip		
2	G07809006	E01940	10	Disc (10 Stk.)		
3	G07838027	E03933	10	Hexagon screw (10 Stk.)		
4	G07825002	E04225	5	Square nut (5 Stk.)		
5	G06350106	E07545	1	Filter insert		
6	G06350107	E08180	1	Cover for air filter		
7	G00605031	E10789	1	Air filter total		

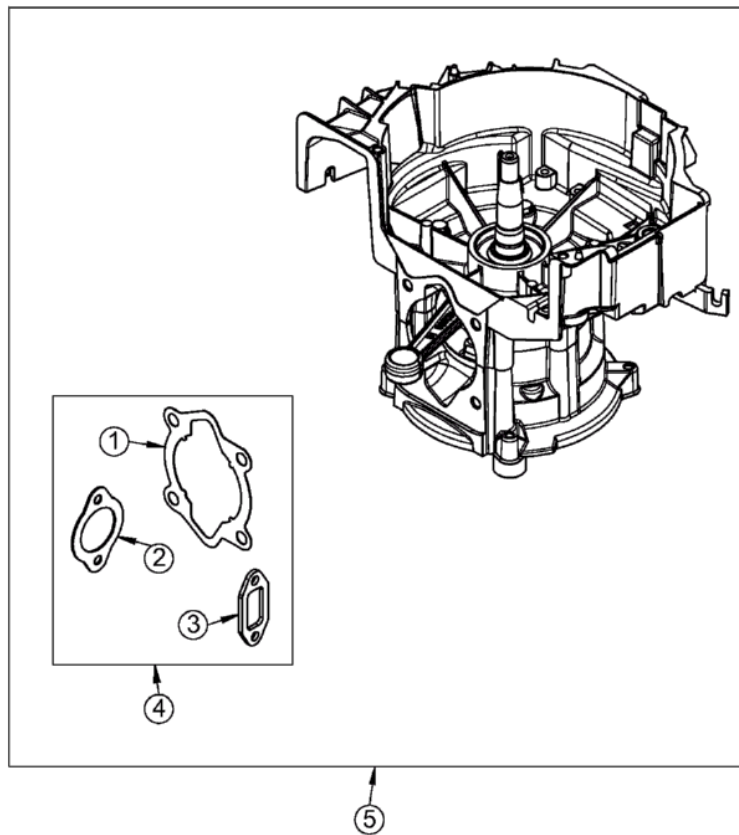


AS 480/2T MK-Kat from serial No. 020411040001 – ET documentation – Basic engine PLUS

Pos	Art-Nr.	E-Nr.	Menge	Beschreibung	Modell	Info
1	1	1	1			
2	G00180132	E11919	1	Crankcase + mounting parts + 4717		
3	G07801001	E01901	2	Zylindersti.5M6x14 DIN EN 2338 (10 Stk.)		
4	G07830016	E03344	1	Deep groove ball bearing		
5	G07812004	E01920	6	Spring disc (20 Stk.)		
6	G07837014	E03744	6	Hexagon screw (5 Stk.)		
7	G00041003	E04718	1	LOCTITE 572 (50 ml)		
8	G00028021	E11921	1	DU bush		
9	G07858003	E03345	1	Shaft seal ring		
10	G00180117	E10958	1	Shaft seal ring + notice		
11	G00680024	E10419	1	Crankshaft + mounting parts		
12	G00180045	E04923	1	Shims 1 set		
13	G07866003	E03361	1	Curved washer (10 Stk.)		
14	G00036003	E03369	1	Needle cage		
15	G07883003	E03342	1	Piston bolt		
16	G07823008	E03343	2	Circlip for drilled hole (2 Stk.)		
17	G00103009	E03349	1	Cylinder base gasket (2 Stk.)		
18	G07832006	E01254	4	Stud (4 Stk.)		
19	G00042004	E05863	4	Detent edge disc (5 Stk.)		
20	G07833006	E04692	1	Hexagon socket head cap screw		
21	G00180012	E05322	1	Fixing device for cylinder (6 HP)		
22	G00104027	E11819	1	Short circuit cable 160 long		
23	G00104026	E11818	1	Ignition coil with cable and plug		
24	G07811006	E01908	2	Spring washer (20 Stk.)		
25	G07802028	E03372	2	Cylinder screw (5 Stk.)		
26	G00107038	E11725	1	Impeller		
27	G07856009	E03958	1	Disc spring (5 Stk.)		
28	G00111031	E04212	1	Tappet		
29	G07839015	E03921	1	Hex nut (4 Stk.)		
30	G00109003	E03366	1	Exhaust gasket		
31	G00105038	E03487	1	Insulating plate		
32	G00180003	E03683	1	Seal set 6 hp motor		
33	G00104015	E03494	1	Spark plug connector		
34	G07847026	E04924	1	Shim (5 Stk.)		
35	G07830011	E03101	1	Deep groove ball bearing		
36	G07856005	E03483	1	Disc spring (5 Stk.)		
37	G07839018	E03484	1	Hex nut (2 Stk.)		
38	G00680050	E11779	1	Wind vane with mounting parts (4 wheel)		
39	G00104014	E01061	1	Spark plug		
40	G00023004	E12374	1	Filter		
41	G00150085	E04585	1	Fuel hose 1 metre		
42	G00680061	E12390	1	Bare engine PLUS		
E10909	G00103023	E10909	1	Cylinder Ø 60.00		
E10910	G00150136	E10910	1	Cylinder Ø 60.02		
E10493	G00180067	E10493	1	Piston Ø 59.92 + needle cage + 2 ST ring		
E10494	G00180068	E10494	1	Piston Ø 59.94 + needle cage + 2 ST ring		
E10495	G00180069	E10495	1	Piston Ø 60.05 + needle cage + 2 ST ring		
E10496	G00180070	E10496	1	Piston Ø 60.45 + needle cage + 2 ST ring		
E10580	G00180078	E10580	1	1 Set of semi trapez. rings Ø 59.92		
E10723	G00180083	E10723	1	Semi-trapez. rings 60.05 (1 set=2 rings)		
E10724	G00180084	E10724	1	Semi-trapez. rings 60.45 (1 set=2 rings)		



Pos	Art-Nr.	E-Nr.	Menge	Beschreibung	Modell	Info
1	1	1	1			
3	G07801001	E01901	2	Zylindersti.5M6x14 DIN EN 2338 (10 Stk.)		
4	G07830016	E03344	1	Deep groove ball bearing		
5	G07812004	E01920	6	Spring disc (20 Stk.)		
6	G07837014	E03744	6	Hexagon screw (5 Stk.)		
7	G00041003	E04718	1	LOCTITE 572 (50 ml)		
8	G00028021	E11921	1	DU bush		
9	G07858003	E03345	1	Shaft seal ring		
10	G00180117	E10958	1	Shaft seal ring + notice		
11	G00680024	E10419	1	Crankshaft + mounting parts		
12	G00180045	E04923	1	Shims 1 set		
13	G07866003	E03361	1	Curved washer (10 Stk.)		
14	G00036003	E03369	1	Needle cage		
15	G07883003	E03342	1	Piston bolt		
16	G07823008	E03343	2	Circlip for drilled hole (2 Stk.)		
17	G00103009	E03349	1	Cylinder base gasket (2 Stk.)		
18	G07832001		2			
19	G00042004	E05863	4	Detent edge disc (5 Stk.)		
20	G07833006	E04692	4	Hexagon socket head cap screw		
21	G00180012	E05322	1	Fixing device for cylinder (6 HP)		
22	G00104027	E11819	1	Short circuit cable 160 long		
23	G00104026	E11818	1	Ignition coil with cable and plug		
24	G07811006	E01908	2	Spring washer (20 Stk.)		
25	G07802028	E03372	2	Cylinder screw (5 Stk.)		
26	G00107038	E11725	1	Impeller		
27	G07856009	E03958	1	Disc spring (5 Stk.)		
28	G00111031	E04212	1	Tappet		
29	G07839015	E03921	1	Hex nut (4 Stk.)		
30	G00109003	E03366	1	Exhaust gasket		
31	G00105038	E03487	1	Insulating plate		
32	G00180003	E03683	1	Seal set 6 hp motor		
33	G00104015	E03494	1	Spark plug connector		
34	G07847026	E04924	1	Shim (5 Stk.)		
35	G07830011	E03101	1	Deep groove ball bearing		
36	G07856005	E03483	1	Disc spring (5 Stk.)		
37	G07839018	E03484	1	Hex nut (2 Stk.)		
38	G00680050	E11779	1	Wind vane with mounting parts (4 wheel)		
39	G00104014	E01061	1	Spark plug		
40	G00023004	E12374	1	Filter		
41	G00150085	E04585	1	Fuel hose 1 metre		
42	G00680061	E12390	1	Bare engine PLUS		
43	G00180157	G00180157	1	Crankcase + mounting parts + 4717		
E10909	G00103023	E10909	1	Cylinder Ø 60.00		
E10910	G00150136	E10910	1	Cylinder Ø 60.02		
E10493	G00180067	E10493	1	Piston Ø 59.92 + needle cage + 2 ST ring		
E10494	G00180068	E10494	1	Piston Ø 59.94 + needle cage + 2 ST ring		
E10495	G00180069	E10495	1	Piston Ø 60.05 + needle cage + 2 ST ring		
E10496	G00180070	E10496	1	Piston Ø 60.45 + needle cage + 2 ST ring		
E10580	G00180078	E10580	1	1 Set of semi trapez. rings Ø 59.92		
E10723	G00180083	E10723	1	Semi-trapez. rings 60.05 (1 set=2 rings)		
E10724	G00180084	E10724	1	Semi-trapez. rings 60.45 (1 set=2 rings)		



Rumpfmotor

Lieferumfang :

fertig
montiert

Kurbelgehäuse
Kurbelwelle
Rillenkugellager
Passscheiben
Wellendichtringe

AS 480/2T ab Serien Nr. 018912040001

AS 480/2T MK ab Serien Nr. 019012040001

AS 530/2T ab Serien Nr. 019312040001

AS 530/2T MK ab Serien Nr. 019412040001

beiliegend

Dichtungssatz

AS 480/2T-Kat ab Serien Nr. 020311040001

AS 480/2T MK-Kat ab Serien Nr. 020411040001

AS 530/2T-Kat ab Serien Nr. 020511040001

AS 530/2T MK-Kat ab Serien Nr. 020611040001

AS 510 A/2T ab Serien Nr. 024311100001

AS 480/2T-Kat from serial No. 020311040001 – ET documentation – Basic engine

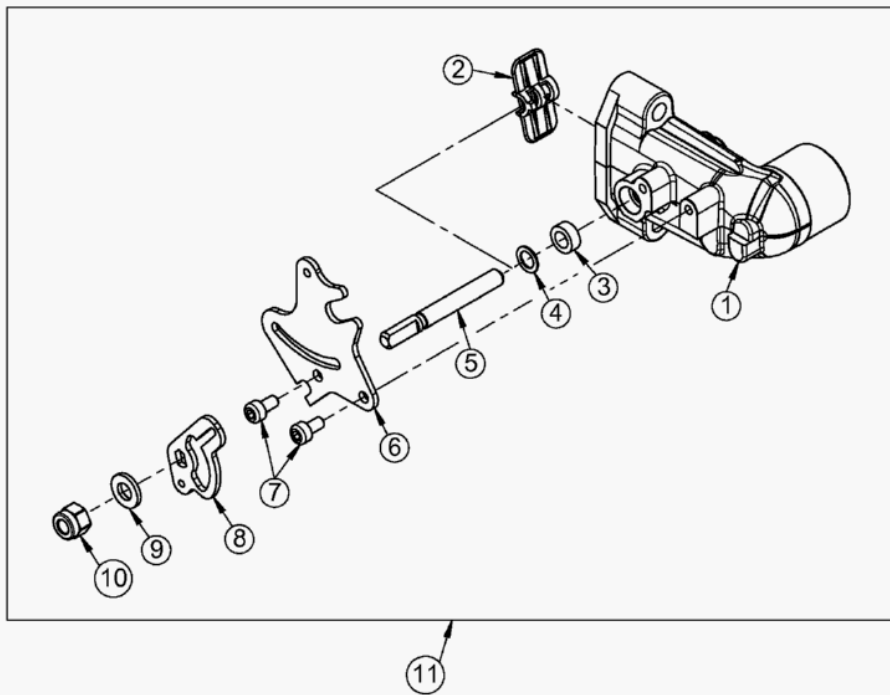
Pos	Art-Nr.	E-Nr.	Menge	Beschreibung	Modell	Info
1	G00103009	E03349	2	Cylinder base gasket (2 Stk.)		
2	G00109003	E03366	1	Exhaust gasket		
3	G00105038	E03487	1	Insulating plate		
4	G00180003	E03683	1	Seal set 6 hp motor		
5	G00680056	E11917	1	Bare engine		

AS 510/ AS 420/ AS 470 Mulching mower – AS 510 2T A and AS 510 A/2T ProClip – Basic engine from serial No. 024315070021



AS 510/ AS 420/ AS 470 Mulching mower – AS 510 2T A and AS 510 A/2T ProClip – Basic engine from serial No. 024315070021

Pos	Art-Nr.	E-Nr.	Menge	Beschreibung	Modell	Info
1	G00103009	E03349	1	Cylinder base gasket (2 Stk.)		
2	G00109003	E03366	1	Exhaust gasket		
3	G00105038	E03487	1	Insulating plate		
4	G00180003	E03683	1	Seal set 6 hp motor		
6	G00680082	G00680082	1	Bare engine		

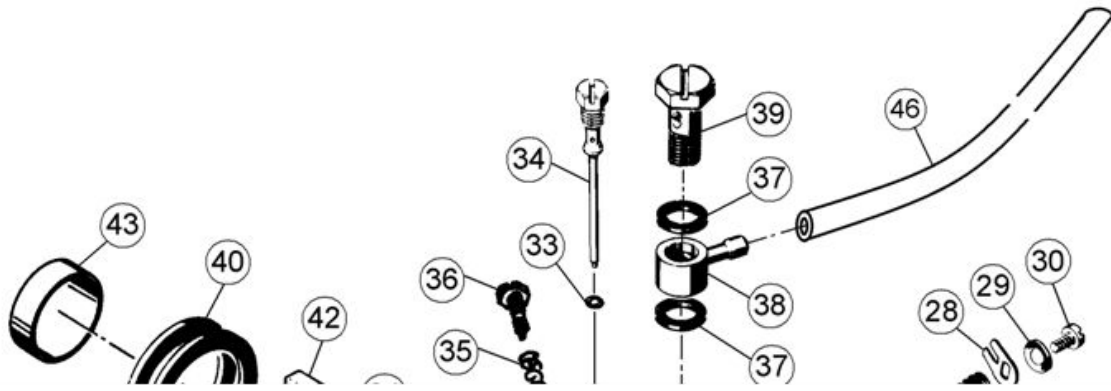


Ansaugstutzen mit Sperrklappe

ab 03.2011

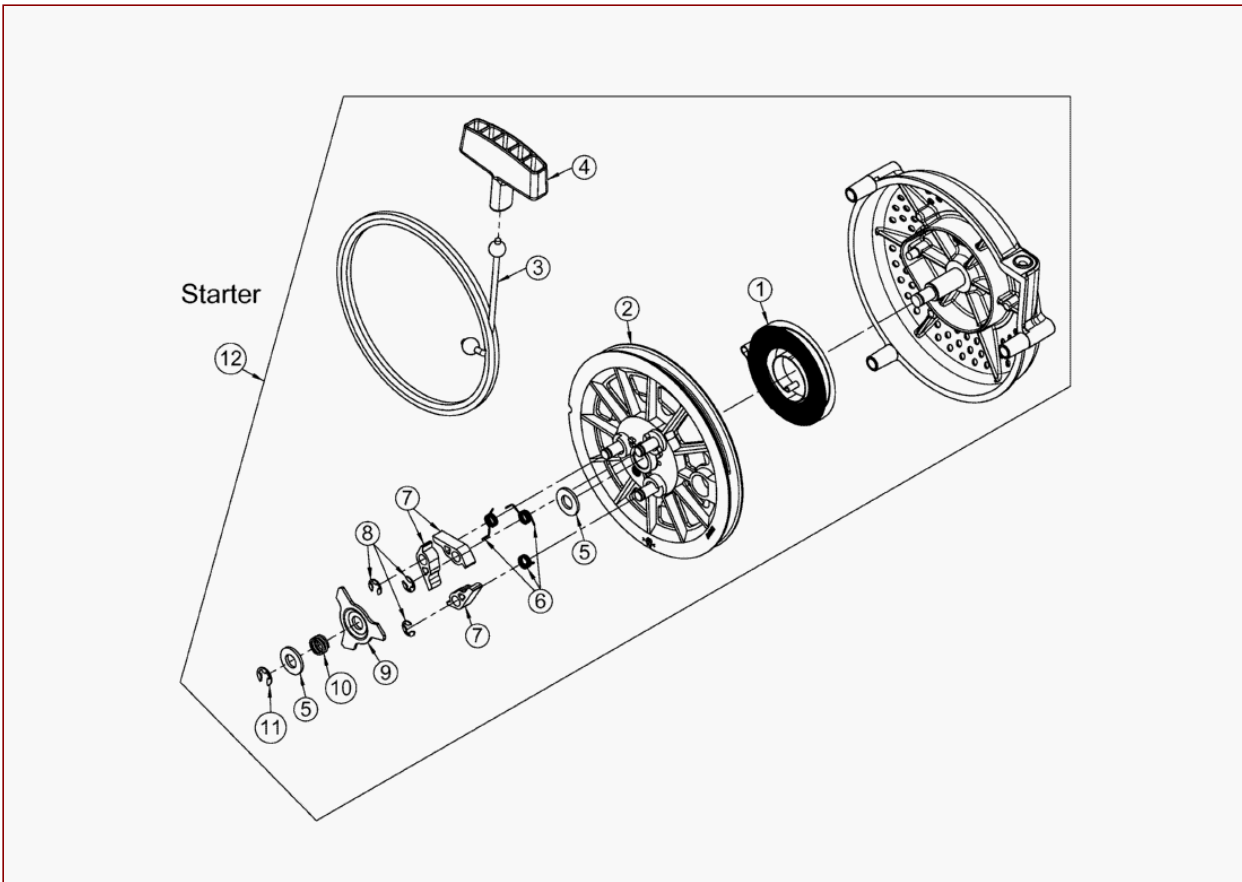
AS 45 B4-Kat from serial No. 021011040001 – ET documentation – Suction nozzle with shut-off flap

Pos	Art-Nr.	E-Nr.	Menge	Beschreibung	Modell	Info
1	G00105066	E10583	1	Intake manifold		
2	G00105071	E10587	1	Shut-off panel		
3	G00150031	E02776	10	Sealing sleeve (10 Stk.)		
4	G00150077	E03475	10	Disc (10 Stk.)		
5	G00105067	E10584	1	panel shaft		
6	G00105084	E11812	1	Bearing plate		
7	G07833036	E10802	10	Hexagon socket head cap screw (10 Stk.)		
8	G00105070	E10586	1	panel lever		
9	G07809006	E01940	10	Disc (10 Stk.)		
10	G07846008	E03829	10	Self-locking hex nut (10 Stk.)		
11	G00105083	E11783	1	Intake manifold with shut-off panel		



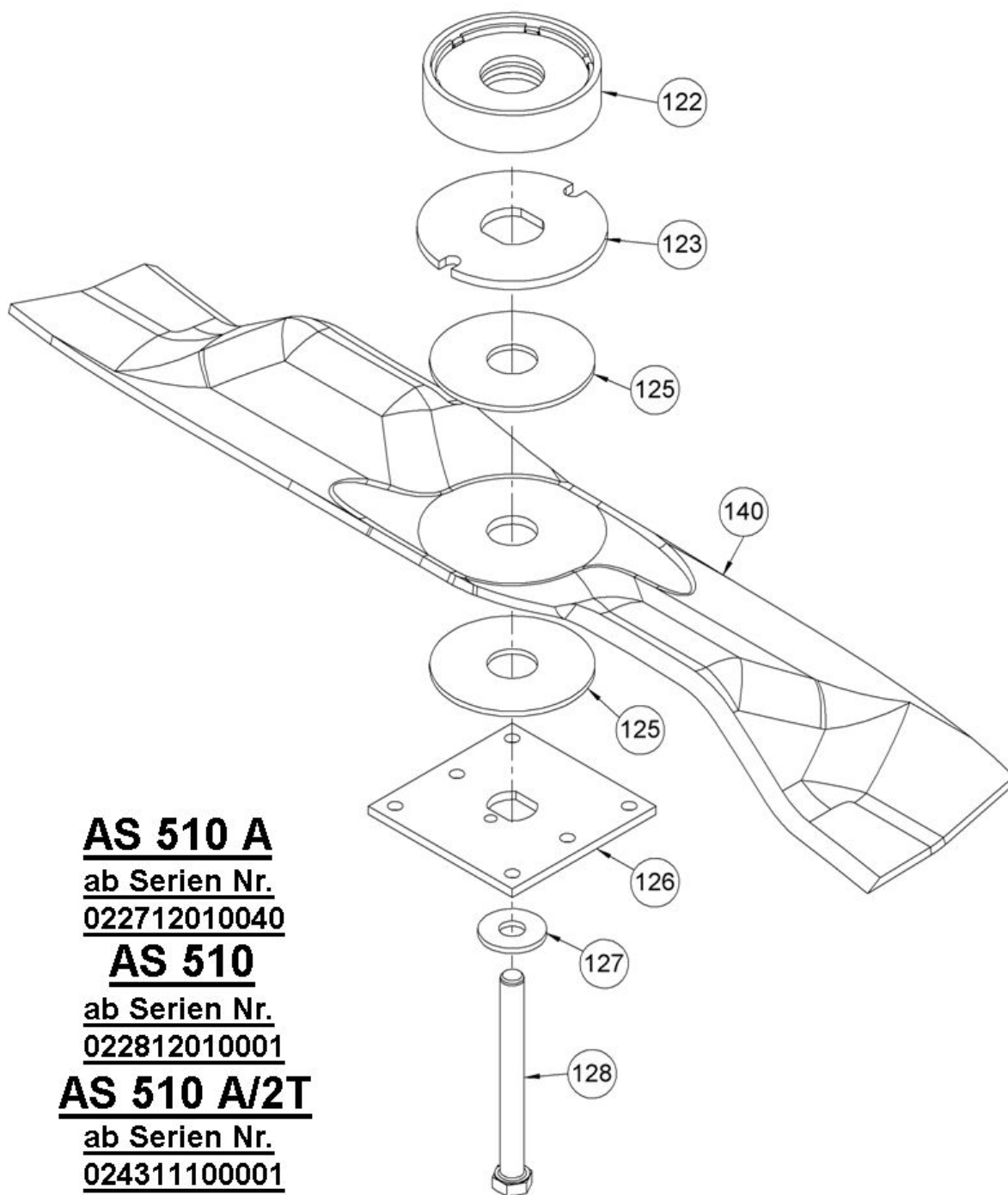
AS 45 B4-Kat from serial No. 021008020001 – ET documentation – Carburettor cat-motor

Pos	Art-Nr.	E-Nr.	Menge	Beschreibung	Modell	Info
1	G00150131	E10851	1	Main nozzle 79		
2	G00150132	E10852	1	Mixing tube		
3	G00150089	E04784	1	Flood needle		
4	G00350014	E01203	1	Pin (10 Stk.)		
5	G00350015	E01206	1	Gasket (2 Stk.)		
6	G00250025	E05496	1	Floater		
7	G00150016	E02760	1	Float cap		
8	G00150133	E10853	1	Nozzle body		
9	G00750019	E01205	1	Air correction jet 70 series		
10	G00150060	E03398	1	Choke		
11	G00150059	E03397	1	Starter axle with lever right		
12	G00150025	E02770	1	Arm left		
13	G00150026	E02771	1	Feather key (10 Stk.)		
14	G00150024	E02769	1	Cylinder screw (10 Stk.)		
15	G00150023	E02768	1	Stud (2 Stk.)		
16	G00150022	E02767	1	Hairpin spring (2 Stk.)		
17	G00150075	E03473	1	Washer disc (3 Stk.)		
18	G00150020	E02765	1	Brake disc (10 Stk.)		
19	G00150074	E03472	1	Hand lever		
20	G00150018	E02763	1	Disc (10 Stk.)		
21	G07846002	E01932	1	Self-locking hex nut (5 Stk.)		
22	G00150077	E03475	2	Disc (10 Stk.)		
23	G00150031	E02776	2	Sealing sleeve (10 Stk.)		
24	G00150067	E03464	2	Raised countersunk head screw (5 Stk.)		
25	G00150062	E03400	1	Throttle valve		
26	G00150061	E03399	1	Throttle shaft		
27	G00150083	E04501	1	Spring (10 Stk.)		
28	G00150084	E04502	1	Throttle lever (3 Stk.)		
29	G00150043	E02788	1	Waved washer (10 Stk.)		
30	G00150044	E02789	1	Raised head screw (10 Stk.)		
31	G00150069	E03466	1	Spring (2 Stk.)		
33	G00150082	E04223	1	Gasket (10 Stk.)		
34	G00150134	E10854	1	Idle nozzle 45		
35	G00150072	E03469	1	Spring (2 Stk.)		
36	G00150073	E03470	1	Adjusting screw		
37	G00750023	E01210	2	Gasket (10 Stk.)		
38	G00950022	E02506	1	Hose swivel joint		
39	G00150006	E01248	1	Screw		
40	G00150068	E03465	1	Clamping ring		
41	G00150034	E02779	1	Clamping screw		
42	G00150036	E02781	1	Nut (5 Stk.)		
43	G00150090	E04932	1	Insulating bush		
44	G00605026	E10797	1	Carburetor with hose cat. engine		
45	G00150137	E10915	1	Air adjust screw		
46	G00150085	E04585	1	Fuel hose 1 metre		



AS 45 B4-Kat from serial No. 021008020001 – ET documentation – Starter

Pos	Art-Nr.	E-Nr.	Menge	Beschreibung	Modell	Info
1	G00111039	E04201	1	Return spring		
2	G00111062	E10737	1	Cable pulley		
3	G00111043	E04457	1	Starter rope Ø 4		
4	G00111020	E01186	1	Handle		
5	G07809008	E03668	5	Disc (5 Stk.)		
6	G00003017	E04204	3	Claw recoil spring (3 Stk.)		
7	G00111044	E04205	3	Claw (3 Stk.)		
8	G07864003	E03137	20	Lock washer (20 Stk.)		
9	G00111053	E05359	1	Cam		
10	G00001057	E04206	1	Pressure spring		
11	G07864005	E03970	20	Lock washer (20 Stk.)		
12	G00180086	E10820	1	Starter total + SK plate		



AS 510 A

ab Serien Nr.
022712010040


AS 510

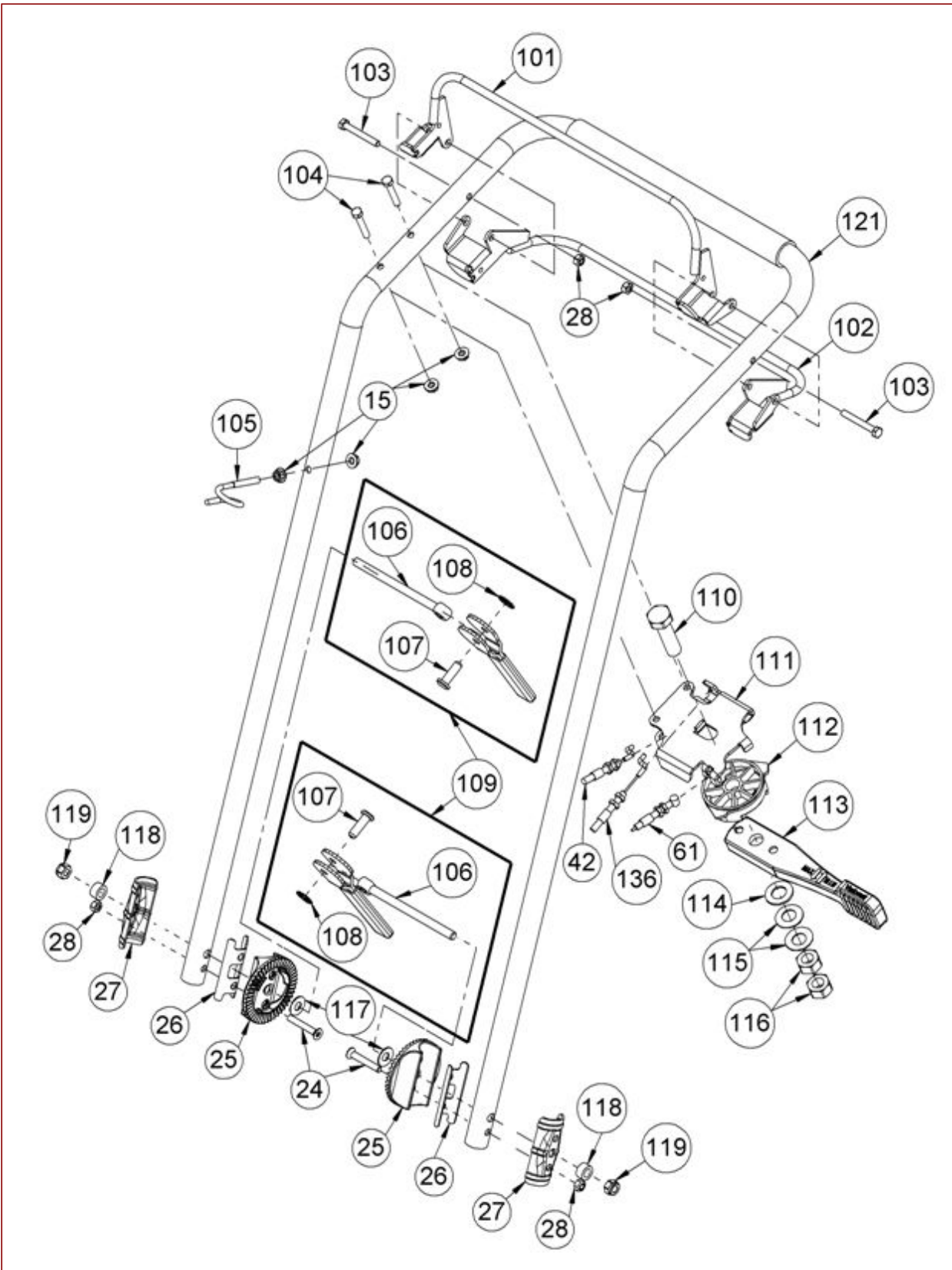
ab Serien Nr.
022812010001

AS 510 A/2T

ab Serien Nr.
024311100001

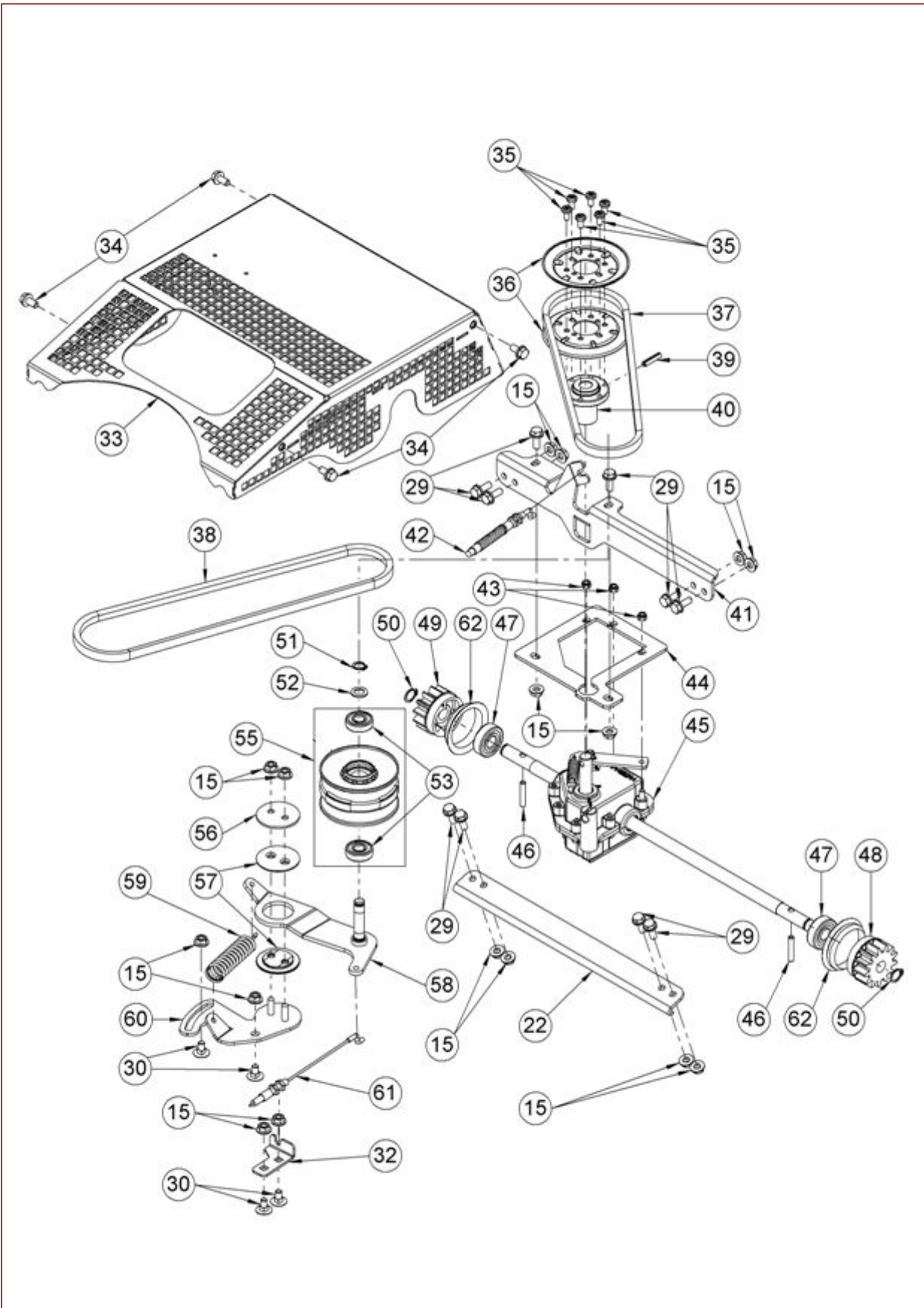
AS 510/ AS 420/ AS 470 Mulching mower – AS 510 2T A and AS 510 A/2T ProClip – Blade with fixing

Pos	Art-Nr.	E-Nr.	Menge	Beschreibung	Modell	Info
122	G04323015	E10582	1	Winding protection cover total		
123	G00010118	E10122	1	Pressure plate top		
125	G00010099	E07082	2	Slide washer		
126	G06123007	E03145	1	Pressure plate		
127	G00042010	E06882	1	Detent edge disc (2 Stk.)		
128	G00009089	E07015	1	Inch screw		
140	G51023008	E41937	1	Replaced by E11823		
	G51023001	E11823	1	Mulch blade		




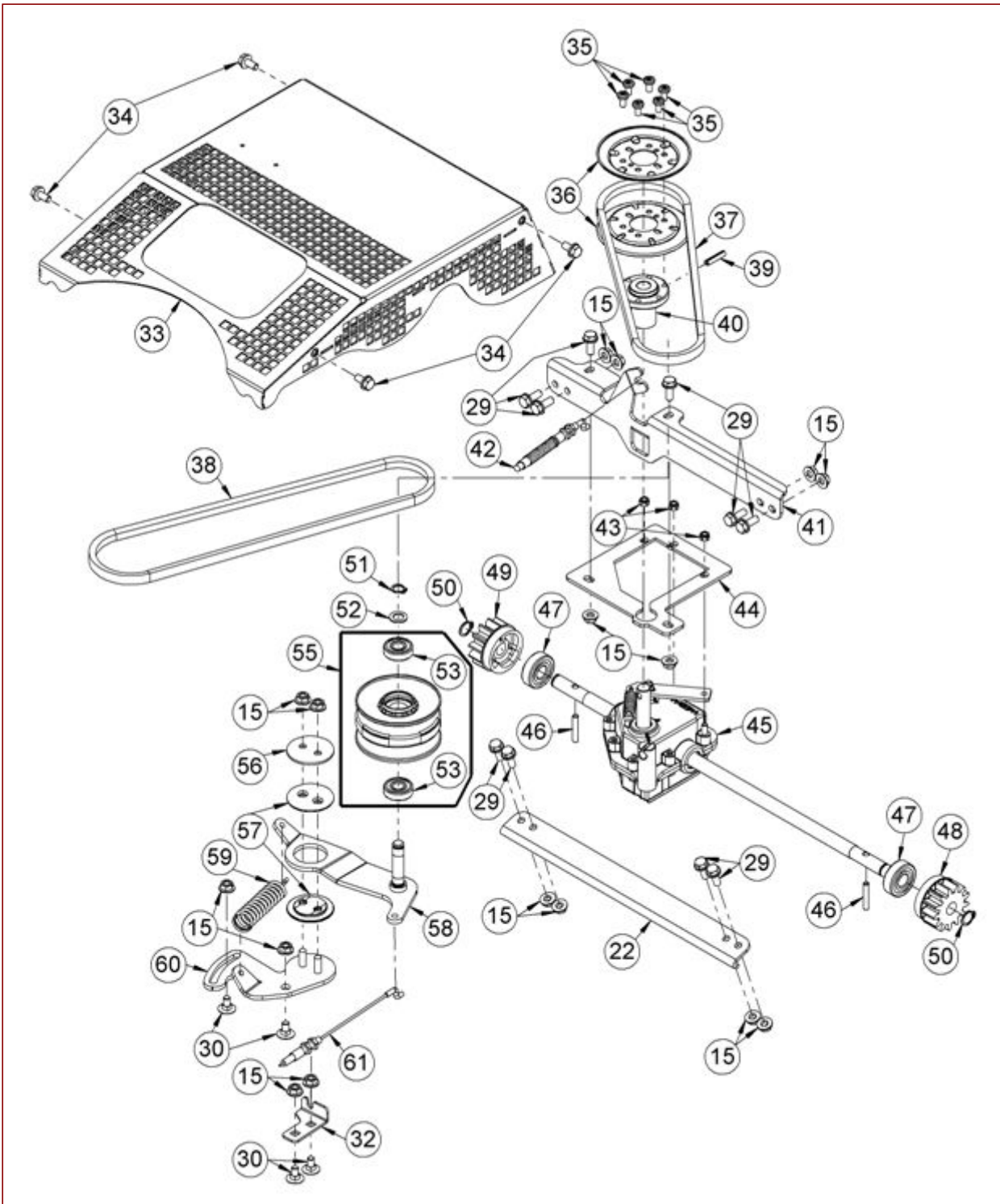
AS 510/ AS 420/ AS 470 Mulching mower – AS 510 2T A and AS 510 A/2T ProClip – Strut

Pos	Art-Nr.	E-Nr.	Menge	Beschreibung	Modell	Info
15	G00007041	E05975	4	Selflocking nut with serrated bearing (3		
24	G00009163	E11803	2	Countersunk screw with inside Torx (10 S		
25	G51022001	E11859	2	Bar height adjustment		
26	G00008148	E11878	2	Vibration damper (2 Stk.)		
27	G51022002	E11860	2	Bearing shell		
28	G07906002	E06667	2	Self-locking hex nut (10 Stk.)		
42	G00020167	E11836	1	Drive cable		
61	G00020169	E11838	1	Vario cable		
101	G51022005	E11862	1	Brake bar		
102	G51022009	E11863	1	Drive bar		
103	G07837068	E07643	2	Hexagon screw (2 Stk.)		
104	G07837024	E04058	2	Hexagon screw (10 Stk.)		
105	G00005038	E06864	1	Handle holder		
106	G07820004	E10120	2	Eye bolt		
107	G07886001	E04476	2	Bolt with head		
108	G00027001	E04567	2	Shaft locking clip		
109	G07322010	E10119	2	Eccentric lever with eyebolt		
110	G00009164	E11885	1	Hexagon screw, fine thread		
111	G51022013	E11864	1	Vario sheet		
112	G04322050	E05783	1	Adjusting disc		
113	G04322055	E05784	1	Adjusting lever		
114	G07809010	E03592	1	Disc (10 Stk.)		
115	G07856006	E03319	2	Disc spring (10 Stk.)		
116	G00007078	E11886	2	Fine thread nut (10 Stk.)		
117	G00033005	E04568	2	Disc spring		
118	G00024008	E06102	2	Spacer sleeve		
119	G07846001	E01912	2	Self-locking hex nut (10 Stk.)		
121	G51022014	E11865	1	Barre		
136	G00020170	E11945	1	Engine brake cable AS 510 A/2T		



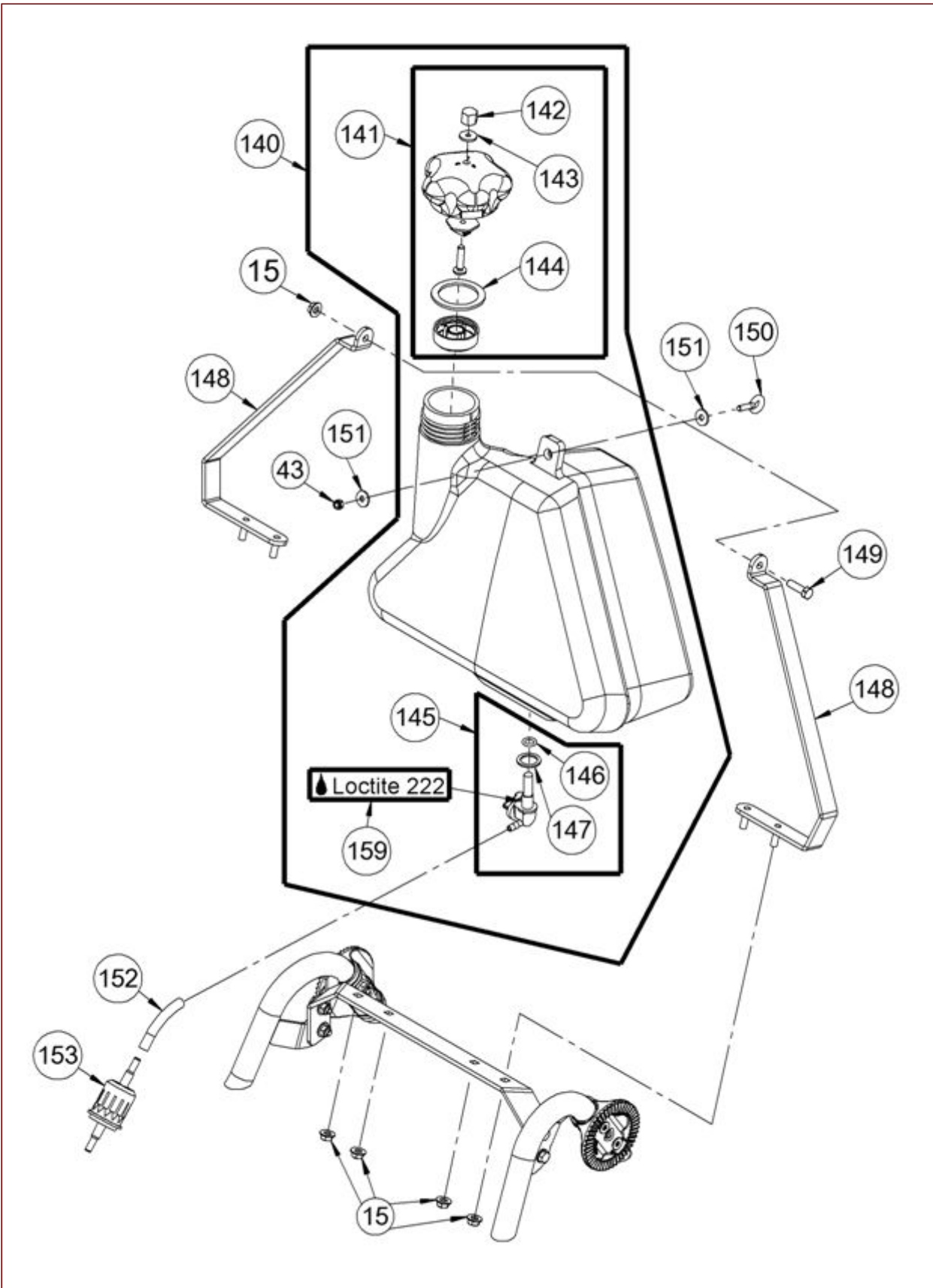
AS 510/ AS 420/ AS 470 Mulching mower – AS 510 2T A and AS 510 A/2T ProClip – Drive

Pos	Art-Nr.	E-Nr.	Menge	Beschreibung	Modell	Info
15	G00007041	E05975	16	Selflocking nut with serrated bearing (3		
22	G51020028	E11852	1	Strip		
29	G00009094	E07247	10	Locking screw (2 Stk.)		
30	G07827008	E04991	4	Mushroom head square neck bolt (3 Stk.)		
32	G51022004	E11861	1	Bowden cable counter holder		
33	G51026001	E11873	1	Belt covering		
34	G00009016	E04631	4	Hexagon screw with serration (5 Stk.)		
35	G00009149	E10597	6	Self-tapping Torx screw (10 Stk.)		
36	G04825005	E10431	2	Belt pulley		
37	G07857049	E11800	1	V-belt		
38	G07857048	E11799	1	V-belt		
39	G07853010	E03121	1	Spring pin (20 Stk.)		
40	G51025001	E11870	1	Belt pulley hub		
41	G51030002	E11876	1	Transmission holder		
42	G00020167	E11836	1	Drive cable		
43	G07846002	E01932	3	Self-locking hex nut (5 Stk.)		
44	G51030003	E11877	1	Transmission retaining plate		
45	G51030001	E11875	1	Transmission		
46	G04225004	E04680	2	Needle roller		
47	G07830030	E06988	2	Deep groove ball bearing		
48	G04530055	E06911	1	Pinion left		
49	G04530054	E06910	1	Pinion right		
50	G07822005	E03229	2	Circlip for shaft (10 Stk.)		
51	G07822002	E02650	1	Circlip for shaft (5 Stk.)		
52	G07847008	E02649	1	Supporting disc (5 Stk.)		
53	G07830014	E04345	2	Deep groove ball bearing		
55	G04325038	E04344	1	Vario disc with ball bearing		
56	G04325106	E05515	1	Thrust washer		
57	G04325105	E05457	2	Bearing washer (3 Stk.)		
58	G51025003	E11872	1	Swivel lever		
59	G00002011	E04343	1	Draw spring		
60	G51025002	E11871	1	Adjusting plate		
61	G00020169	E11838	1	Vario cable		
62	G00008147	E11804	2	Replaced by G51080005 (2 Stk.)		
	G51080005	E13162	1	Rot. shaft seal ring + instruction		



AS 510/ AS 420/ AS 470 Mulching mower – AS 510 2T A and AS 510 A/2T ProClip – Drive from serial No. 024315050001

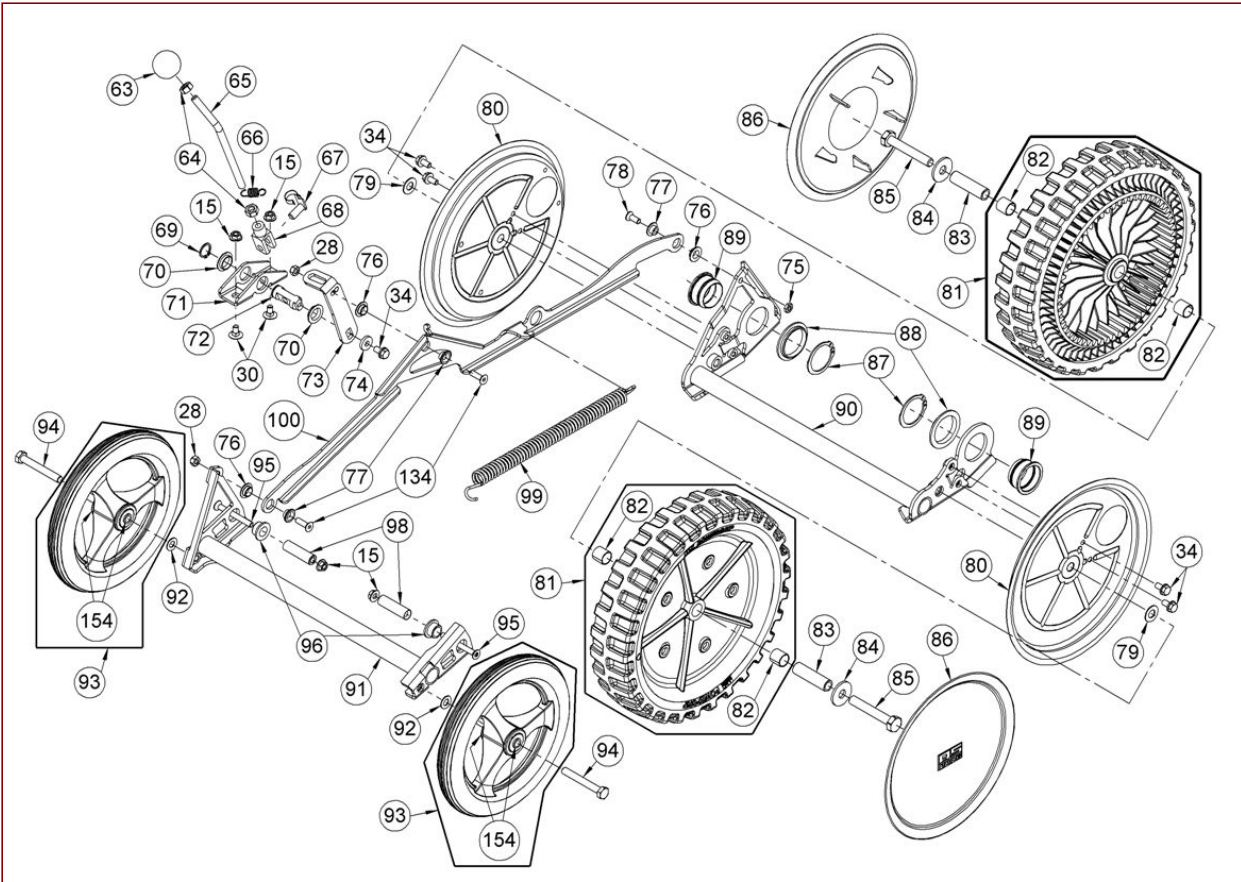
Pos	Art-Nr.	E-Nr.	Menge	Beschreibung	Modell	Info
15	G00007041	E05975	16	Selflocking nut with serrated bearing (3		
22	G51020028	E11852	1	Strip		
29	G00009094	E07247	10	Locking screw (2 Stk.)		
30	G07827008	E04991	4	Mushroom head square neck bolt (3 Stk.)		
32	G51022004	E11861	1	Bowden cable counter holder		
33	G51026001	E11873	1	Belt covering		
34	G00009016	E04631	4	Hexagon screw with serration (5 Stk.)		
35	G00009149	E10597	6	Self-tapping Torx screw (10 Stk.)		
36	G04825005	E10431	2	Belt pulley		
37	G07857049	E11800	1	V-belt		
38	G07857048	E11799	1	V-belt		
39	G07853010	E03121	1	Spring pin (20 Stk.)		
40	G51025001	E11870	1	Belt pulley hub		
41	G51030002	E11876	1	Transmission holder		
42	G00020167	E11836	1	Drive cable		
43	G07846002	E01932	3	Self-locking hex nut (5 Stk.)		
44	G51030003	E11877	1	Transmission retaining plate		
45	G51030001	E11875	1	Transmission		
46	G04225004	E04680	2	Needle roller		
47	G07830030	E06988	2	Deep groove ball bearing		
48	G04530055	E06911	1	Pinion left		
49	G04530054	E06910	1	Pinion right		
50	G07822005	E03229	2	Circlip for shaft (10 Stk.)		
51	G07822002	E02650	1	Circlip for shaft (5 Stk.)		
52	G07847008	E02649	1	Supporting disc (5 Stk.)		
53	G07830014	E04345	2	Deep groove ball bearing		
55	G04325038	E04344	1	Vario disc with ball bearing		
56	G04325106	E05515	1	Thrust washer		
57	G04325105	E05457	2	Bearing washer (3 Stk.)		
58	G51025003	E11872	1	Swivel lever		
59	G00002011	E04343	1	Draw spring		
60	G51025002	E11871	1	Adjusting plate		
61	G00020169	E11838	1	Vario cable		



AS 510/ AS 420/ AS 470 Mulching mower – AS 510 2T A and AS 510 A/2T ProClip – Fuel tank with fixation

Pos	Art-Nr.	E-Nr.	Menge	Beschreibung	Modell	Info
15	G00007041	E05975	5	Selflocking nut with serrated bearing (3		
43	G07846002	E01932	1	Self-locking hex nut (5 Stk.)		
140	G06306001	E03690	1	Fuel tank total		
141	G06306007	E04783	1	Tank cap total		
142	G00007033	E05247	1	Hexagon cap nut		
143	G00019051	E05246	1	Sealing disc (5 Stk.)		
144	G00019053	E04782	1	Seal (3 Stk.)		
145	G06380058	E01048	1	Fuel valve + O-ring + support disc		
146	G00006032	E02412	1	O-ring (2 Stk.)		
147	G07847017	E04350	1	Supporting disc (5 Stk.)		
148	G51006400	E12210	2	Tank mounting bracket		
149	G07838019	E03886	1	Hexagon screw (10 Stk.)		
150	G00009088	E07055	1	Eyebolt (2 Stk.)		
151	G07880007	E03960	1	Disc (20 Stk.)		
152	G00150085	E04585	1	Fuel hose 1 metre		
153	G00023004	E12374	1	Filter		
159	G00041019	E04719	1	LOCTITE 222 (50 ml)		

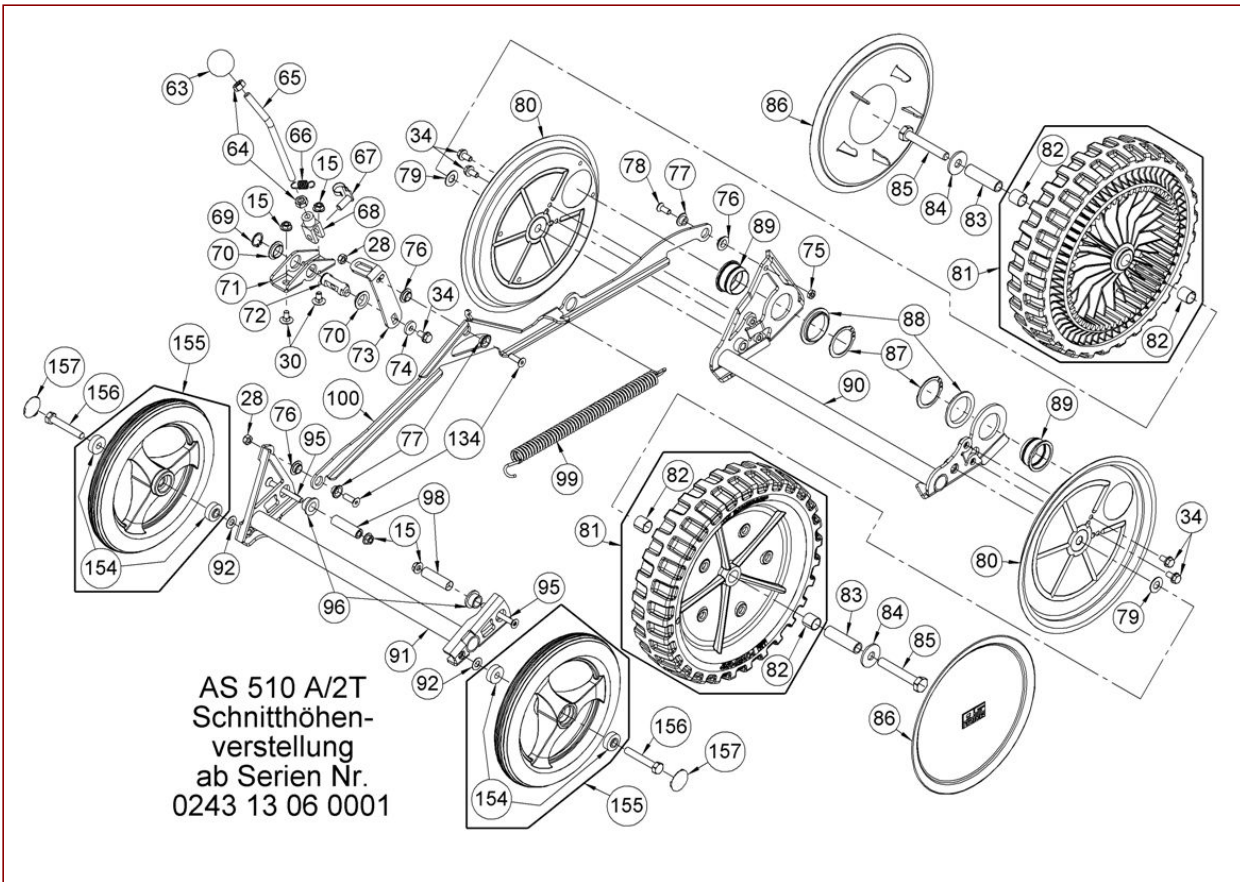
AS 510 4T and AS 510 ProClip – ET documentation – Cutting-height adjustment



AS 510 4T and AS 510 ProClip – ET documentation – Cutting-height adjustment

Pos	Art-Nr.	E-Nr.	Menge	Beschreibung	Modell	Info
15	G00007041	E05975	4	Selflocking nut with serrated bearing (3		
28	G07906002	E06667	2	Self-locking hex nut (10 Stk.)		
30	G07827008	E04991	2	Mushroom head square neck bolt (3 Stk.)		
34	G00009016	E04631	5	Hexagon screw with serration (5 Stk.)		
63	G07917001	E07245	1	Spherical button		
64	G07839003	E01906	1	Hex nut (10 Stk.)		
65	G51020013	E11844	1	Height adjustment lever		
66	G00002073	E11882	1	Draw spring		
67	G00039005	E08459	1	Folding spring bolt		
68	G07925005	E11879	1	Fork head		
69	G07822007	E04326	1	Circlip for shaft (20 Stk.)		
70	G00028060	E11806	2	Friction bearing with collar		
71	G51020010	E11841	1	Height adjustment bearing		
72	G51020011	E11842	1	Height adjustment pin		
73	G51020012	E11843	1	Height adjustment guide lever		
74	G07861005	E07877	1	Disc (2 Stk.)		
75	G07818004	E03917	1	Hex nut (10 Stk.)		
76	G00028061	E11881	3	Friction bearing with collar (3 Stk.)		
77	G00024053	E11805	3	Bearing bush		
78	G00009105	E08066	1	Countersunk screw with inside Torx		
79	G07856005	E03483	2	Disc spring (5 Stk.)		
80	G51021010	E11858	2	Cover plate		
81	G04521015	E05269	2	Wheel complete		
82	G00028005	E04601	4	DU bush		
83	G06121007	E04185	2	Bearing sleeve		
84	G07880001	E01980	2	Disc (10 Stk.)		
85	G07837011	E04186	2	Hexagon screw (3 Stk.)		
86	G04521014	E05271	2	Wheel trim		
87	G07822019	E10461	2	Circlip for shaft (10 Stk.)		
88	G00028048	E10433	2	Friction bearing with collar		
89	G51020018	E11848	2	Bearing sleeve		
90	G51021007	E11856	1	Rear wheel axle		
91	G51021004	E11855	1	Front wheel axle		
92	G07856010	E04337	2	Disc spring (5 Stk.)		
93	G51021009	E11857	2	Replaced by E13052		
	G51080004	E13052	1	Wheel Ø200 + screw + cap		
94	G07837057	E06760	2	Hexagon screw (5 Stk.)		
95	G00009162	E11802	2	Countersunk screw with inside Torx (10 S		
96	G00028041	E07043	2	Friction bearing with collar		
98	G51020017	E11847	2	Front wheel axle bearing studs		
99	G00002025	E05547	1	Relieving spring		
100	G51020009	E11840	1	Height adjustment rod		
134	G07879001	E04342	2	Countersunk screw with hexagon socket (5		
154	G51050003	E12739	4	Ball bearing (2 Stk.)		

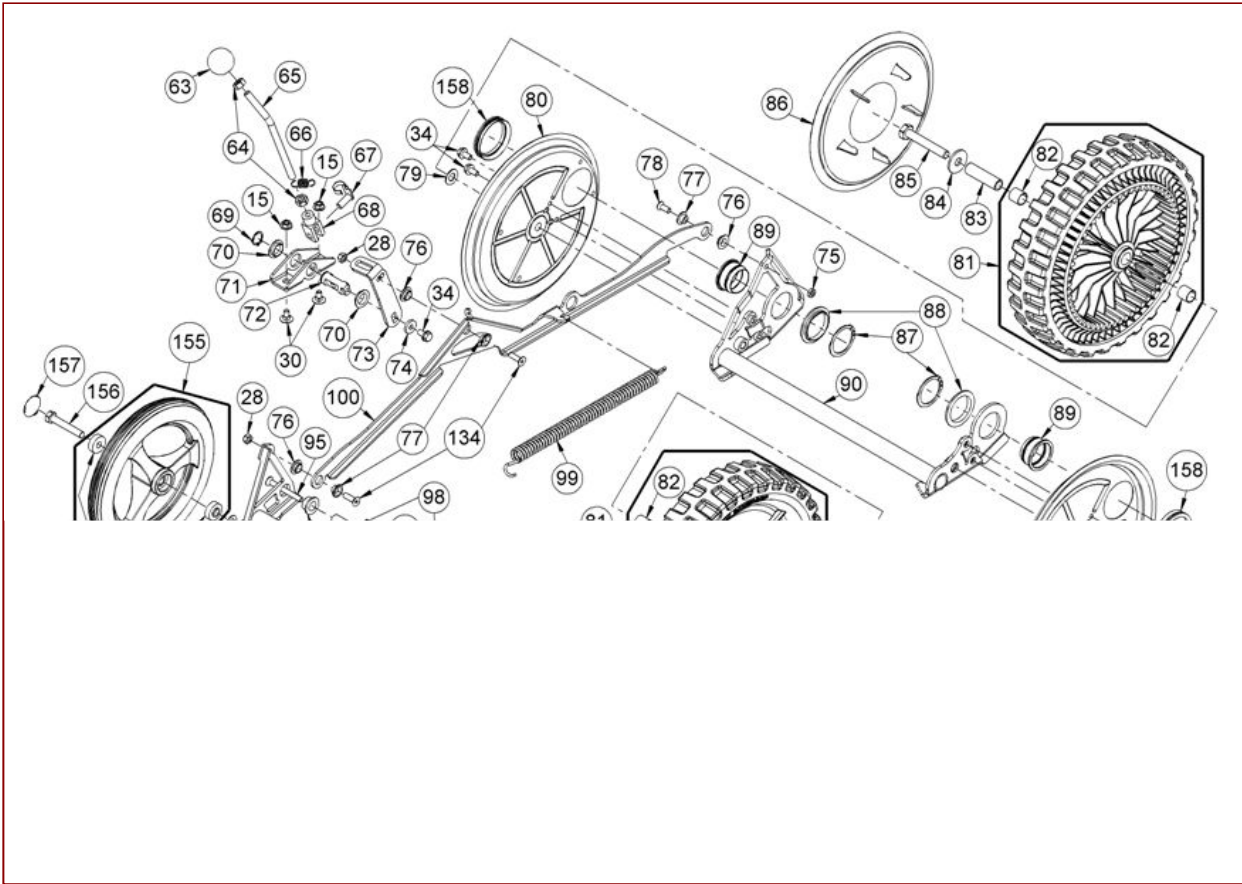
AS 510/ AS 420/ AS 470 Mulching mower – AS 510 2T A and AS 510 A/2T ProClip – Cutting-height adjustment from serial No.024313060001



AS 510/ AS 420/ AS 470 Mulching mower – AS 510 2T A and AS 510 A/2T ProClip – Cutting-height adjustment from serial No.024313060001

Pos	Art-Nr.	E-Nr.	Menge	Beschreibung	Modell	Info
15	G00007041	E05975	4	Selflocking nut with serrated bearing (3		
28	G07906002	E06667	2	Self-locking hex nut (10 Stk.)		
30	G07827008	E04991	2	Mushroom head square neck bolt (3 Stk.)		
34	G00009016	E04631	5	Hexagon screw with serration (5 Stk.)		
63	G07917001	E07245	1	Spherical button		
64	G07839003	E01906	1	Hex nut (10 Stk.)		
65	G51020013	E11844	1	Height adjustment lever		
66	G00002073	E11882	1	Draw spring		
67	G00039005	E08459	1	Folding spring bolt		
68	G07925005	E11879	1	Fork head		
69	G07822007	E04326	1	Circlip for shaft (20 Stk.)		
70	G00028060	E11806	2	Friction bearing with collar		
71	G51020010	E11841	1	Height adjustment bearing		
72	G51020011	E11842	1	Height adjustment pin		
73	G51020012	E11843	1	Height adjustment guide lever		
74	G07861005	E07877	1	Disc (2 Stk.)		
75	G07818004	E03917	1	Hex nut (10 Stk.)		
76	G00028061	E11881	3	Friction bearing with collar (3 Stk.)		
77	G00024053	E11805	3	Bearing bush		
78	G00009105	E08066	1	Countersunk screw with inside Torx		
79	G07856005	E03483	2	Disc spring (5 Stk.)		
80	G51021010	E11858	2	Cover plate		
81	G04521015	E05269	2	Wheel complete		
82	G00028005	E04601	4	DU bush		
83	G06121007	E04185	2	Bearing sleeve		
84	G07880001	E01980	2	Disc (10 Stk.)		
85	G07837011	E04186	2	Hexagon screw (3 Stk.)		
86	G04521014	E05271	2	Wheel trim		
87	G07822019	E10461	2	Circlip for shaft (10 Stk.)		
88	G00028048	E10433	2	Friction bearing with collar		
89	G51020018	E11848	2	Bearing sleeve		
90	G51021007	E11856	1	Rear wheel axle		
91	G51021004	E11855	1	Front wheel axle		
92	G07856010	E04337	2	Disc spring (5 Stk.)		
95	G00009162	E11802	2	Countersunk screw with inside Torx (10 S		
96	G00028041	E07043	2	Friction bearing with collar		
98	G51020017	E11847	2	Front wheel axle bearing studs		
99	G00002025	E05547	1	Relieving spring		
100	G51020009	E11840	1	Height adjustment rod		
134	G07879001	E04342	2	Countersunk screw with hexagon socket (5		
154	G51050003	E12739	4	Ball bearing (2 Stk.)		
155	G53121017	E12408	2	Wheel Ø 200		
156	G07837020	E03924	2	Hexagon screw (4 Stk.)		
157	G53121018	E12409	2	Cap for wheel Ø 200		

AS 510/ AS 420/ AS 470 Mulching mower – AS 510 2T A and AS 510 A/2T ProClip – Cutting-height adjustment from serial No.024315050001



AS 510/ AS 420/ AS 470 Mulching mower – AS 510 2T A and AS 510 A/2T ProClip – Cutting-height adjustment from serial No.024315050001

Pos	Art-Nr.	E-Nr.	Menge	Beschreibung	Modell	Info
15	G00007041	E05975	4	Selflocking nut with serrated bearing (3		
28	G07906002	E06667	2	Self-locking hex nut (10 Stk.)		
30	G07827008	E04991	2	Mushroom head square neck bolt (3 Stk.)		
34	G00009016	E04631	5	Hexagon screw with serration (5 Stk.)		
63	G07917001	E07245	1	Spherical button		
64	G07839003	E01906	1	Hex nut (10 Stk.)		
65	G51020013	E11844	1	Height adjustment lever		
66	G00002073	E11882	1	Draw spring		
67	G00039005	E08459	1	Folding spring bolt		
68	G07925005	E11879	1	Fork head		
69	G07822007	E04326	1	Circlip for shaft (20 Stk.)		
70	G00028060	E11806	2	Friction bearing with collar		
71	G51020010	E11841	1	Height adjustment bearing		
72	G51020011	E11842	1	Height adjustment pin		
73	G51020012	E11843	1	Height adjustment guide lever		
74	G07861005	E07877	1	Disc (2 Stk.)		
75	G07818004	E03917	1	Hex nut (10 Stk.)		
76	G00028061	E11881	3	Friction bearing with collar (3 Stk.)		
77	G00024053	E11805	3	Bearing bush		
78	G00009105	E08066	1	Countersunk screw with inside Torx		
79	G07856005	E03483	2	Disc spring (5 Stk.)		
80	G51021010	E11858	2	Cover plate		
81	G04521015	E05269	2	Wheel complete		
82	G00028005	E04601	4	DU bush		
83	G06121007	E04185	2	Bearing sleeve		
84	G07880001	E01980	2	Disc (10 Stk.)		
85	G07837011	E04186	2	Hexagon screw (3 Stk.)		
86	G04521014	E05271	2	Wheel trim		
87	G07822019	E10461	2	Circlip for shaft (10 Stk.)		
88	G00028048	E10433	2	Friction bearing with collar		
89	G51020018	E11848	2	Bearing sleeve		
90	G51021007	E11856	1	Rear wheel axle		
91	G51021004	E11855	1	Front wheel axle		
92	G07856010	E04337	2	Disc spring (5 Stk.)		
95	G00009162	E11802	2	Countersunk screw with inside Torx (10 S		
96	G00028041	E07043	2	Friction bearing with collar		
98	G51020017	E11847	2	Front wheel axle bearing studs		
99	G00002025	E05547	1	Relieving spring		
100	G51020009	E11840	1	Height adjustment rod		
134	G07879001	E04342	2	Countersunk screw with hexagon socket (5		
154	G51050003	E12739	4	Ball bearing (2 Stk.)		
155	G53121017	E12408	2	Wheel Ø 200		
156	G07837020	E03924	2	Hexagon screw (4 Stk.)		
157	G53121018	E12409	2	Cap for wheel Ø 200		
158	G00008201	E13161	2	Rot. shaft seal ring		



Pos.Nr.	ET-Nr.	Benennung
1	E12773	Aufkleber - Set AS 510

AS 510/ AS 420/ AS 470 Mulching mower – AS 510 2T A and AS 510 A/2T ProClip – Instruction plate - set

Pos	Art-Nr.	E-Nr.	Menge	Beschreibung	Modell	Info
1	G51080003	E12773	1	Instruction plate - set AS 510		