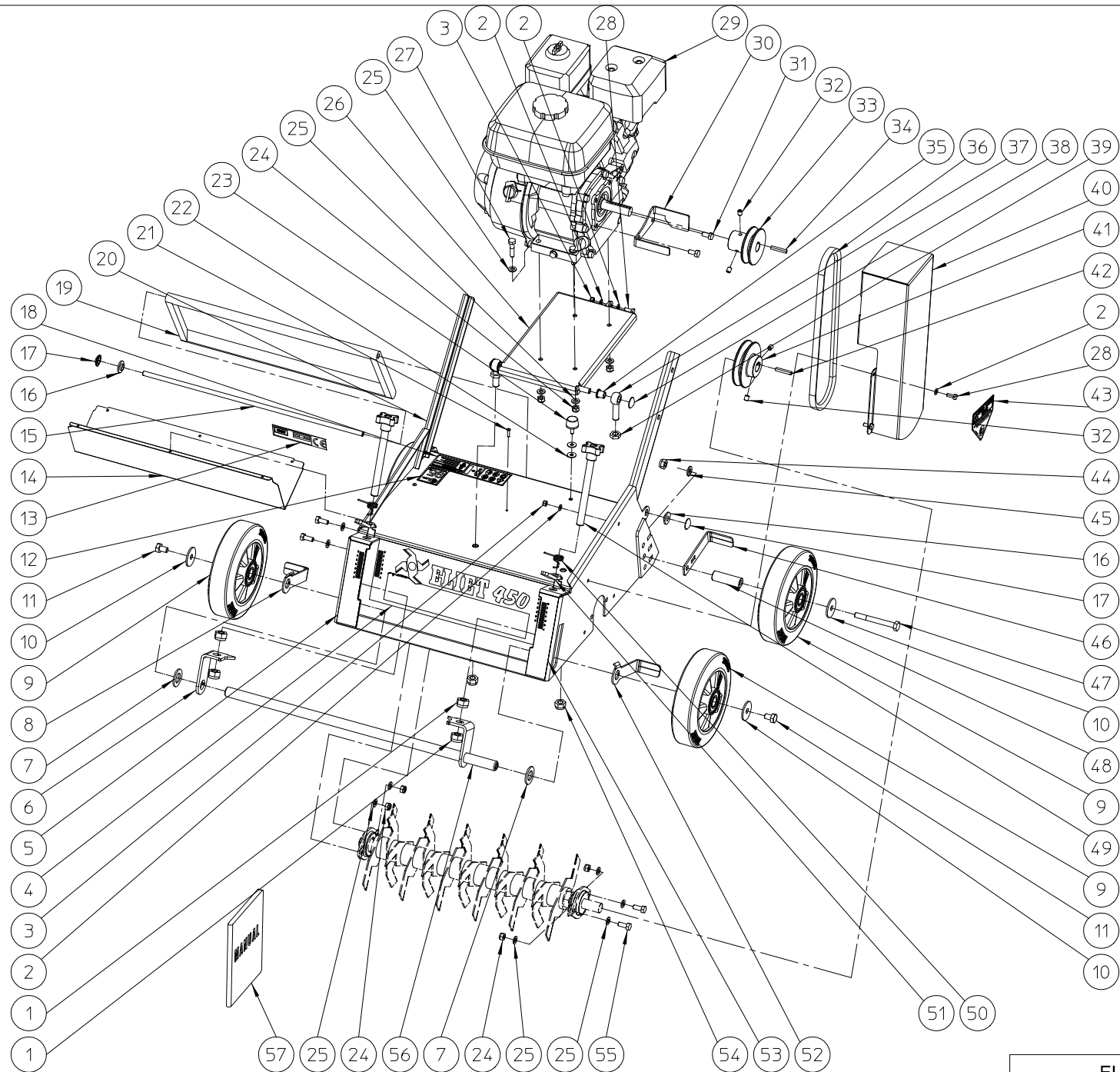


ELIET E450 -- GENERAL					
NO	MMA 01 360 100	REV	1	DATE	2014/01/09

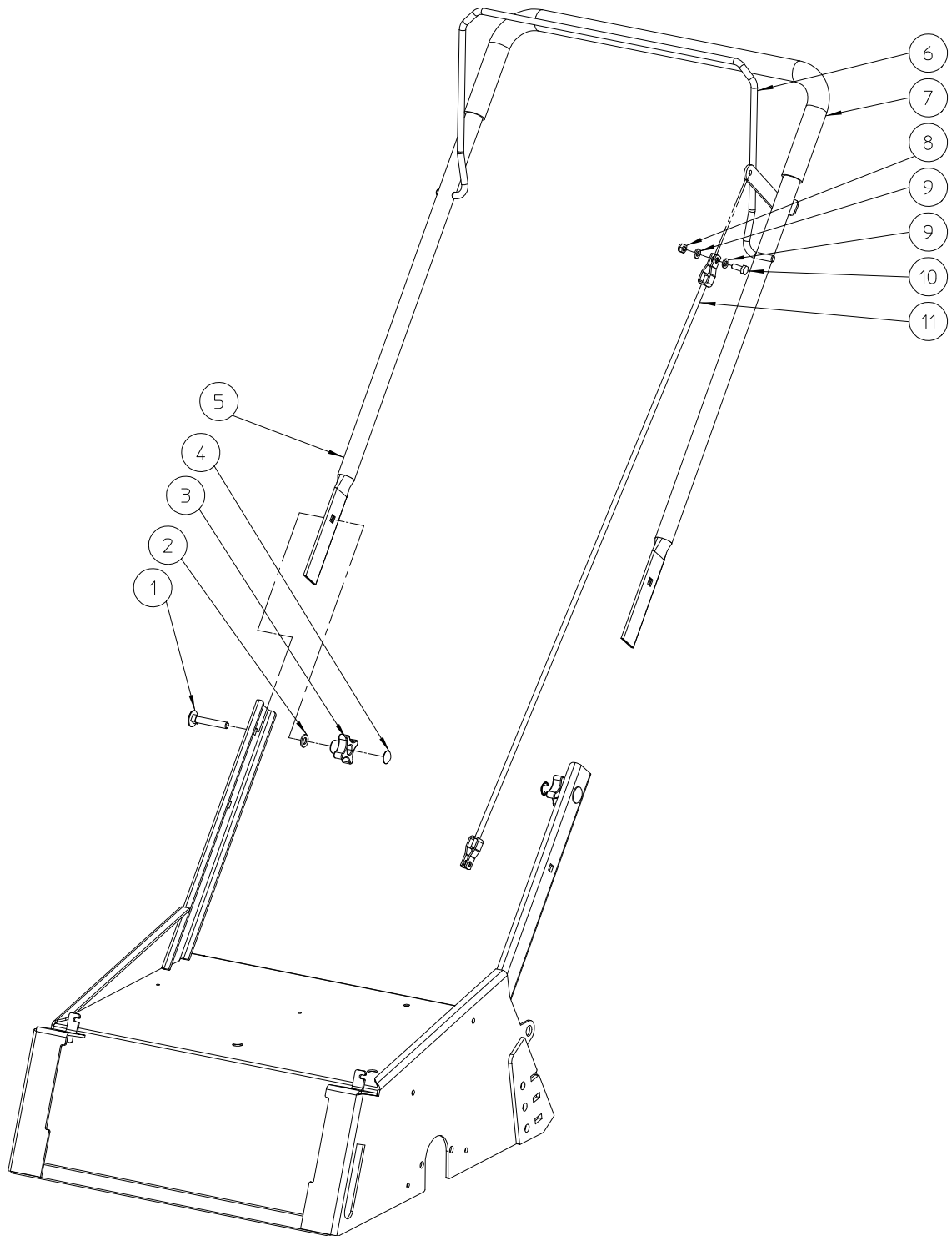
#	Order nr	article description	quantity
110	MMA 01 360 110	combustion	1
120	MMA 01 360 120	handle bar	1
130	MMA 01 360 130	rotor fixed knives	1
140	MMA 01 360 140	rotor loose knives	0
150	MMA 01 360 150	kit collecting bag	0



<b>ELIET E450 -- COMBUSTION</b>					
NO	MMA 01 360 110	REV	1	DATE	2013/12/10

#	Order nr	article description	quantity
1	BS 502 001 400	self locking nut m14 din 985	4
2	BS 531 000 600	washer m6 din 125	10
3	BS 502 000 600	self locking nut m6 din 985	5
4	BQ 501 027 010	sticker eliet e450 386x136	1
5	BQ 501 027 030	sticker eliet e450 43x175 (r)	1
6	MPA 01 360 240	bracket height adjustment	1
7	BS 531 002 000	washer m20 din 125	2
8	MPA 01 360 250	front wheel holder right	1
9	BW 320 020 000	front wheel alu 200/50-60 (e 501 pro)	4
10	BS 532 010 406	washer m10x40x3	4
11	BS 512 001 016	bolt m10x16 din 933	2
12	BQ 505 112 095	sticker sound level 95 db	1
13	BQ 505 010 010	identity sticker ce 120x30	1
14	MPA 01 360 230	seal	1
15	MPA 01 360 290	rod deflector	1
16	BR 112 100 600	nylon bushing with collar (10/13.5/25x6/2.5)	2
17	BB 011 000 090	starlock 9mm	2
18	BQ 505 010 171	safety sticker 70x115 (pictogram)	1
19	BR 900 001 580	protection cover e450	1
20	MPA 01 360 020	chassis	1
21	BB 221 104 160	pop plug alu 3.9x16 din 7337 a	7
22	BS 532 006 183	washer m6x18x1.5	2
23	BR 600 425 170	antivibration blocks 25x17b m6x18	1
24	BS 502 000 800	self locking nut m8 din 985	8
25	BS 531 000 800	washer m8 din 125	16
26	MPA 01 360 040	engine plate	1
27	BS 511 000 835	bolt m8x35 din 931	4
28	BS 512 000 616	bolt m6x16 din 933	5
29	BM 202 105 500	honda gx 160	1
30	MPA 01 090 150	belt catcher	1
31	BS 512 040 816	bolt unf 5/16"x5/8"	2
32	BS 023 000 810	set screw m8x10 din 916	4
33	BA 565 707 101	pulley spa 71x3/4"x3/16" (engine)	1
34	BB 342 050 535	key 4.7x4.7x35 din 6880	1
35	BR 112 101 500	nylon bushing with collar (10/13/18x15/2)	2
36	BA 521 208 000	belt xpa 800	1
37	BS 551 101 242	eye bolt m12x50 din 444	2
38	BB 011 000 100	starlock 10mm	2
39	BS 501 901 200	nut m12 din 439	2
40	MPA 01 360 220	transmission guard	1
41	BA 565 709 001	pulley spa 90x20x5 (rotor)	1
42	BB 341 050 535	key 5x5x35 din 6880	1
43	BQ 505 010 070	safety sticker 100x80 (hand cuts)	1
44	BS 502 001 000	self locking nut m10 din 985	2
45	BS 531 001 000	washer m10 din 125	2
46	MPA 01 360 270	rear wheel scraper	2
47	BS 511 001 049	bolt m10x90 din 931	2
48	MPA 01 360 300	wheel shaft	2
49	BN 630 214 600	lob knob 189-60 m14x135	2
50	BV 909 000 030	spring	2
51	MPA 01 090 260	locking handle	2
52	MPA 01 360 260	front wheel holder left	1

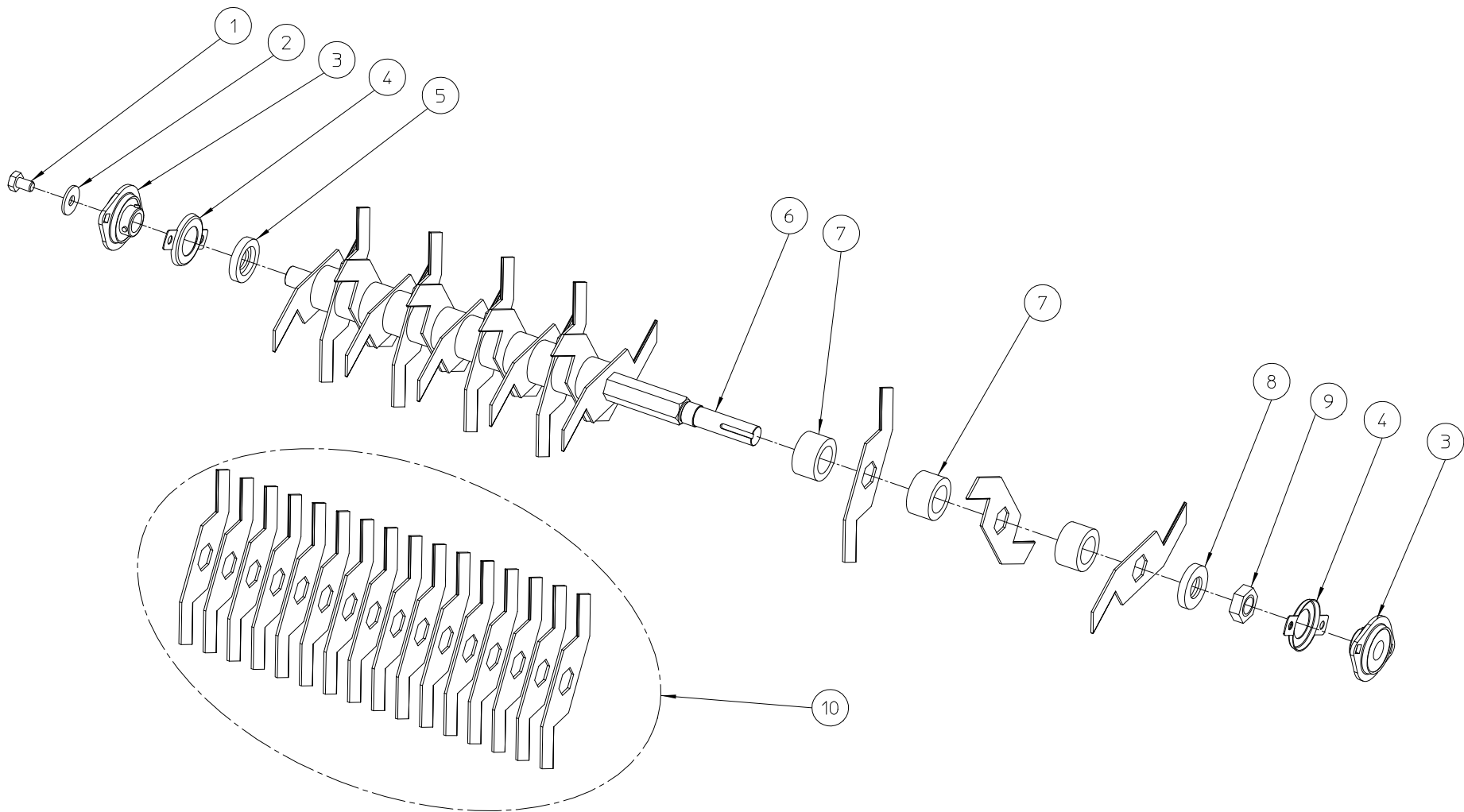
<b>53</b>	<b>BQ 501 027 020</b>	<b>sticker eliet e450 43x175 (I)</b>	<b>1</b>
<b>54</b>	<b>BS 502 001 200</b>	<b>self locking nut m12 din 985</b>	<b>2</b>
<b>55</b>	<b>BS 512 000 820</b>	<b>bolt m8x20 din 933</b>	<b>4</b>
<b>56</b>	<b>MPA 01 360 030</b>	<b>wheel shaft frontwheel</b>	<b>1</b>
<b>57</b>	<b>BZ 201 360 010</b>	<b>manual e450</b>	<b>1</b>



ELIET E450 -- HANDLEBAR

NO	MMA 01 360 120	REV	1	DATE	2013/12/10
----	----------------	-----	---	------	------------

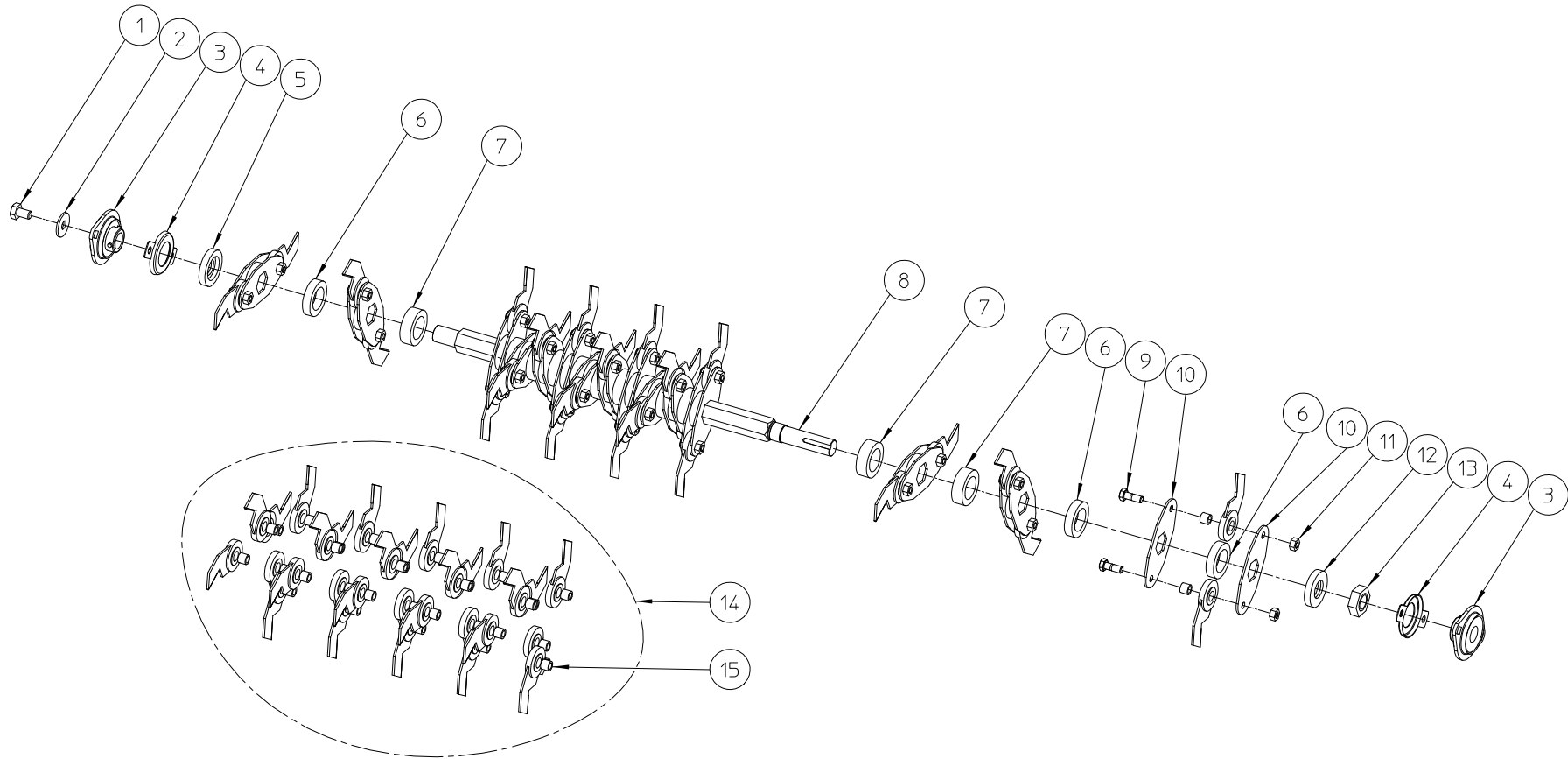
#	Order nr	article description	quantity
1	BS 554 100 842	bolt m8x50 din 603	2
2	BS 531 000 800	washer m8 din 125	2
3	BN 630 808 400	lob knob 188-40 m8	2
4	BB 011 000 060	starlock 6mm	2
5	MPA 01 360 280	steer	1
6	MPA 01 360 050	clutch handle	1
7	BN 231 001 070	soft rubber grip dia 22mm (l=700mm)	1
8	BS 502 000 600	self locking nut m6 din 985	1
9	BS 531 000 600	washer m6 din 125	2
10	BS 512 000 616	bolt m6x16 din 933	1
11	BK 152 250 820	cable 2.5x820mm	1



ELIET E450 -- ROTOR SHAFT FIXED KNIVES				
NO	MMA 01 360 130	REV	1	DATE 2014/01/09



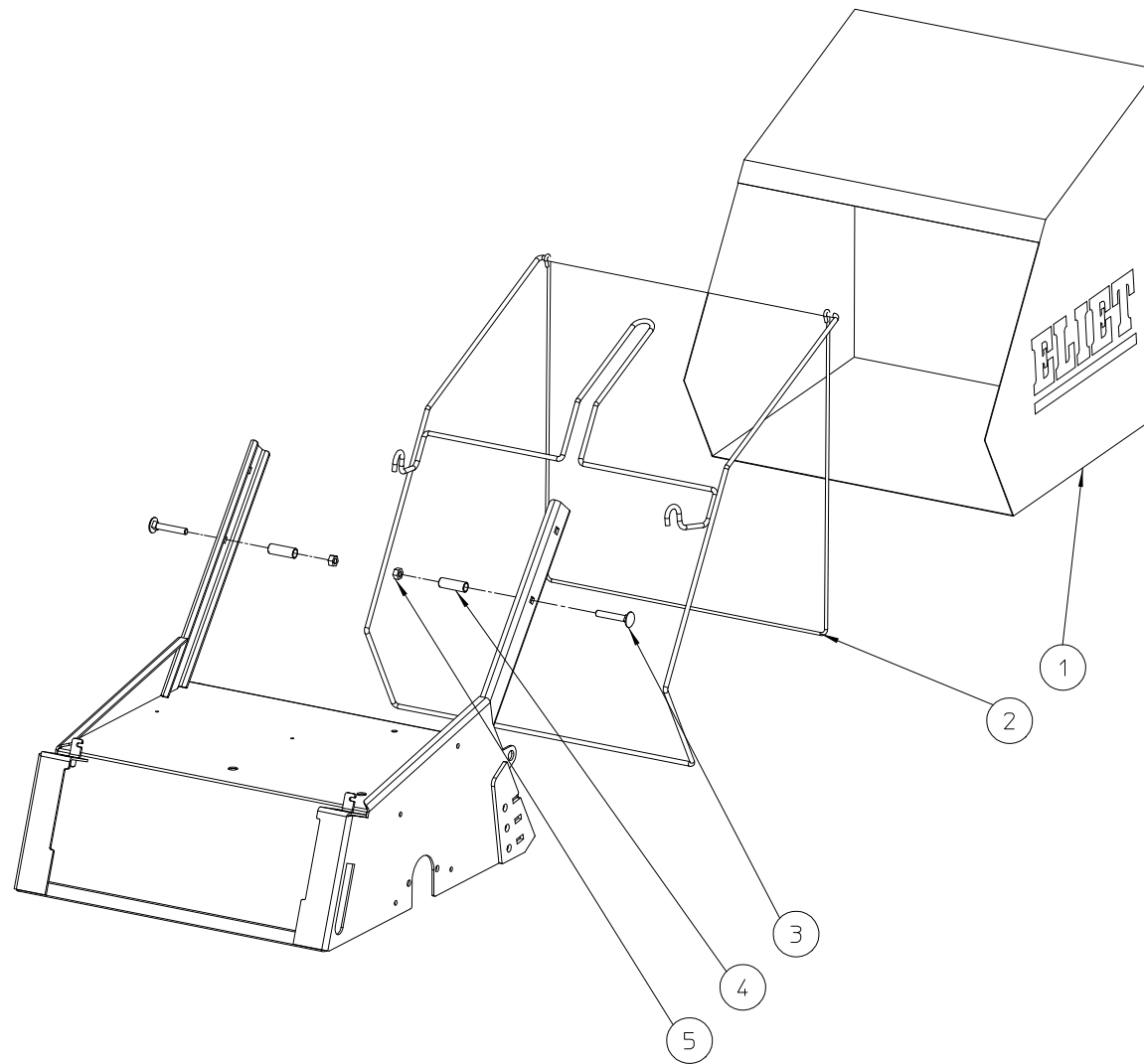
#	Order nr	article description	quantity
1	BS 512 001 016	bolt m10x16 din 933	1
2	BS 532 010 305	washer m10x30x2.5	1
3	BL 801 102 001	bearing + flanges aspfl 204	2
4	MPA 01 010 010	bearing protection cover 204	2
5	MPA 01 090 520	connection ring for blades 20x45x8mm	1
6	MPA 01 360 210	blade shaft	1
7	BR 111 292 510	nylon bushing (28.5/44x25)	15
8	MPA 01 090 510	connection ring for blades 22x45x8mm	1
9	BS 501 902 200	nut m22x1.50 din 439	1
10	BU 402 100 203	set of fixed knives (16)	1



ELIET E450 --- ROTOR SHAFT LOOSE KNIVES

NO	MMA 01 360 140	REV	1	DATE	2013/12/10
----	----------------	-----	---	------	------------

#	Order nr	article description	quantity
1	BS 512 001 016	bolt m10x16 din 933	1
2	BS 532 010 305	washer m10x30x2.5	1
3	BL 801 102 001	bearing + flanges aspfl 204	2
4	MPA 01 010 010	bearing protection cover 204	2
5	MPA 01 090 520	connection ring for blades 20x45x8mm	1
6	BR 111 291 010	nylon bushing (28.5/44x10)	17
7	BR 111 291 410	nylon bushing (28.5/44x14)	12
8	MPA 01 360 210	blade shaft	1
9	BS 011 000 822	bolt m8x22 din 931	30
10	MPA 01 090 530	bracket for loose blade	30
11	BS 501 000 800	nut m8 din 934	30
12	MPA 01 090 510	connection ring for blades 22x45x8mm	1
13	BS 501 902 200	nut m22x1.50 din 439	1
14	BU 402 200 203	set of loose knives with bush (30)	1
15	MPA 01 090 540	bush loose blade	0



ELIET E450 -- KIT COLLECTING BAG					
NO	MMA 01 360 150	REV	1	DATE	2013/12/10

#	Order nr	article description	quantity
1	BQ 348 090 010	collecting bag e450	1
2	MPA 01 360 060	frame for collecting bag	1
3	BS 554 100 842	bolt m8x50 din 603	2
4	MPA 01 080 280	bushing 16x8x40	2
5	BS 501 000 800	nut m8 din 934	2