
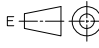
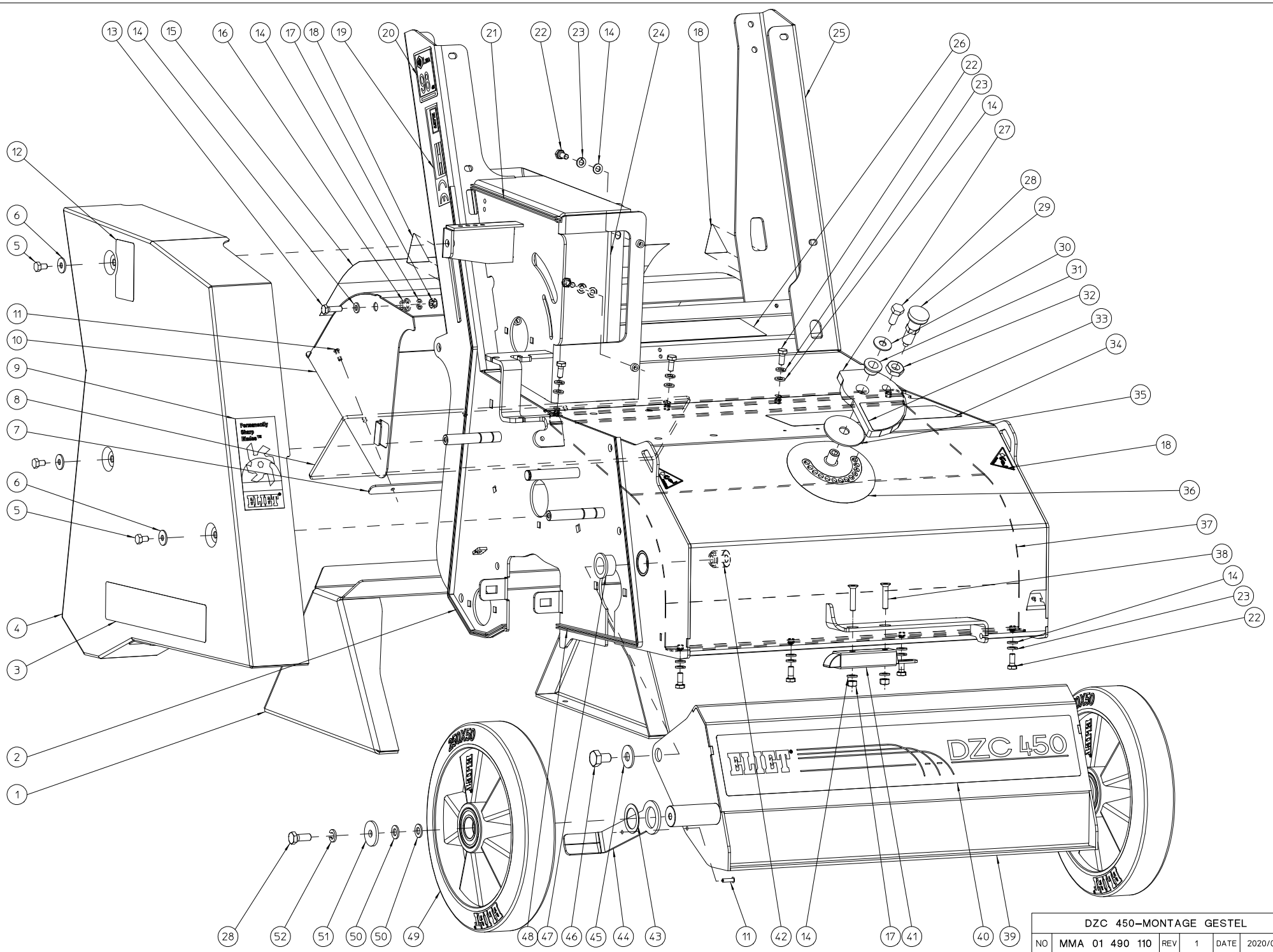


| DZC 450 | | | | | |
|---------|----------------|-----|---|------|------------|
| NO | MMA 01 490 100 | REV | 1 | DATE | 2020/05/29 |

| Pos | Qté | Nom | Description |
|-----|-----|----------------|---------------------------------------|
| 12 | 1 | 000 001 321 | VERPAKKING |
| 110 | 1 | MMA 01 490 110 | DZC 450-MONTAGE GESTEL |
| 120 | 1 | MMA 01 490 120 | DZC 450 MONTAGE MESSENAS |
| 130 | 1 | MMA 01 490 130 | DZC 450-MONTAGE ZAADBAK+ZAADREGELING |
| 140 | 1 | MMA 01 490 140 | DZC 450-MONTAGE AANDRIJVING MESSENAS |
| 150 | 1 | MMA 01 490 150 | DZC 450-MONTAGE AANDRIJVING TRACTIROL |
| 160 | 1 | MMA 01 490 160 | ROULEAU TRACTION |
| 170 | 1 | MMA 01 490 170 | DZC 450 MONTAGE EVACUATEUR |
| 180 | 1 | MMA 01 490 180 | DZC 450-AANDRIJVING ARCHIMEDESSCHROEF |
| 190 | 1 | MMA 01 490 190 | DZC 450 MONTAGE ZAAI-UNIT |
| 200 | 1 | MMA 01 490 200 | DZC 450-MONTAGE STUUR |
| 210 | 1 | MMA 01 490 210 | DZC 450-OPTIES |

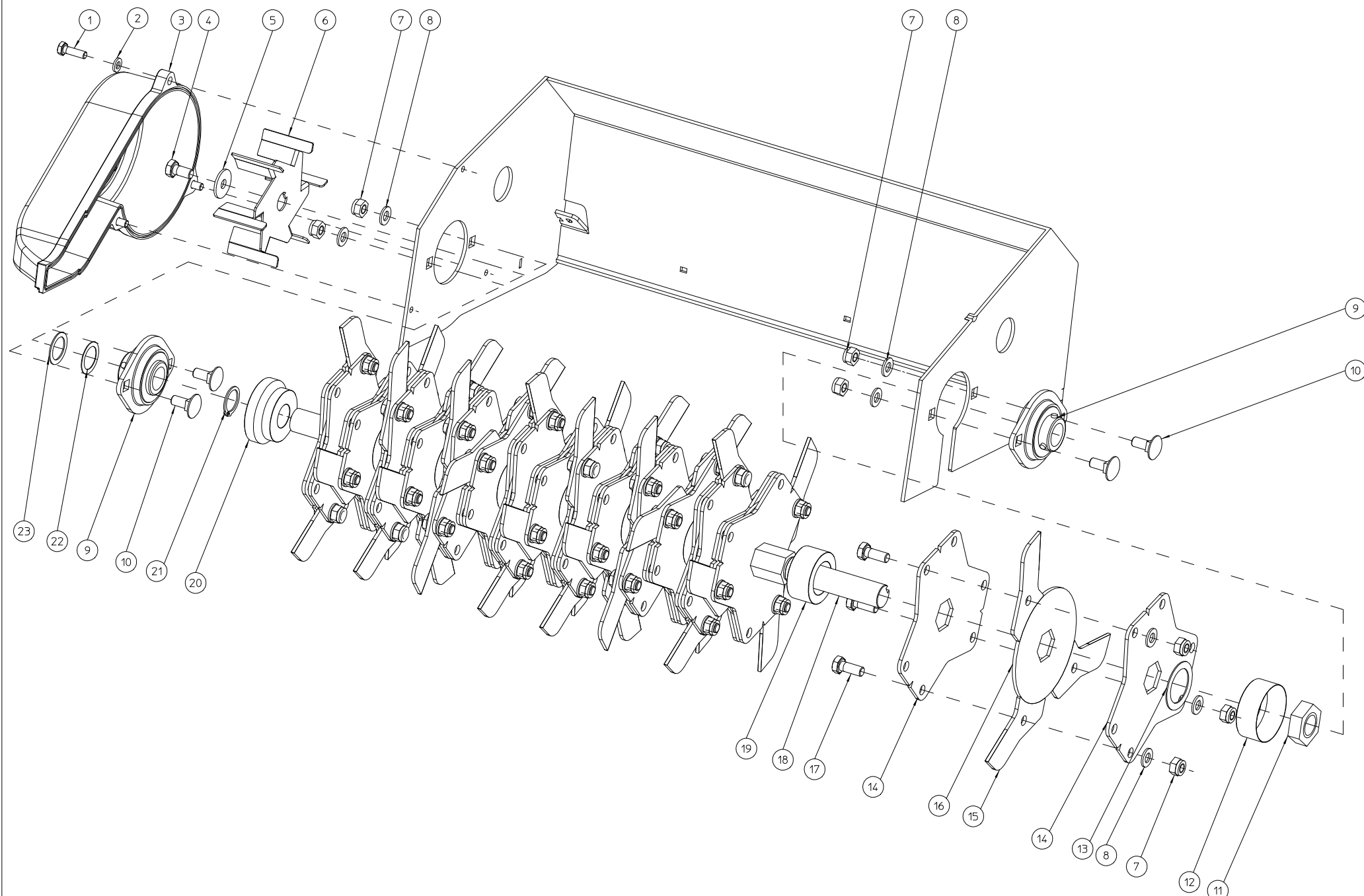
| | | | | | | |
|--|---|----------------|---|------------|---------------|----------|
| MATERIAL_NR | | MATERIAL | | PROJECT_NR | LENGTH | OVERMAAT |
| | | | | | 0.0 | |
| TITLE | | | | NAME | DATE MODIFIED | |
| DZC 450 | | | | koen | 2020/05/29 | |
| | | | | NAME | DATE CREATED | |
| | | | | koen | 2020/05/28 | |
|  WWW.ELIET.BE |  | Overall Tol | <input checked="" type="checkbox"/> () | Machine | FORMAT | SCALE |
| | | ISO 2768-fH | | D_Z_C 450 | A4H | 1:10 |
| ELIET N.V. - Zwevegemastraat 136 - B-8553 OTEGEM Tel.: +32/56/77.70.88 - Fax.: +32/56/77.5213 | | DRW_NR | REVISION | | SHEET | |
| | | MMA 01 490 100 | 1 | | 2 of 2 | |



| DZC 450-MONTAGE GESTEL | | | | | |
|------------------------|----------------|-----|---|------|------------|
| NO | MMA 01 490 110 | REV | 1 | DATE | 2020/05/25 |

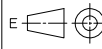
| Pos | Qté | Nom | Description |
|-----|-----|----------------|--|
| 1 | 1 | MPA 01 420 220 | SUPPORT NETTOYAGE DZC600 |
| 2 | 1 | BR 000 910 650 | M U-PROFIEL REF.U1-650 |
| 3 | 1 | BQ 501 490 030 | KLEVER-ELIET DZC 450 + 2 PICTOGRAMMEN-250X75 |
| 4 | 1 | MPA 01 490 140 | CAPE DE PROTECTION |
| 5 | 3 | BS 512 000 610 | DIN 933 VIS M6X10 |
| 6 | 3 | BS 532 006 183 | RONDELLE DE CARROSSERIE M6X18X1.5 DIN 440 |
| 7 | 1 | MPA 01 490 080 | LATTE CAOUTCHOUC DEFLECTEUR ARRIERE |
| 8 | 1 | BR 900 001 900 | BAVETTE CAOUTCHOUC DEFLECTEUR DZC450 |
| 9 | 1 | BQ 501 010 100 | AUTO_SHAPR_BLADES |
| 10 | 1 | MPA 01 490 070 | DEFLECTEUR ARRIERE |
| 11 | 6 | BB 221 104 140 | BLINDLINKNAGEL 3.9X14 ALU/STAAL |
| 12 | 1 | BQ 505 010 660 | KLEVER-WAARSCHUWING NAAR VEILIGHEID 45X70 |
| 13 | 2 | BS 512 000 620 | DIN 933 VIS M6X20 |
| 14 | 18 | BS 531 000 600 | DIN 125 RONDELLE M6 |
| 15 | 1 | BQ 501 490 020 | KLEVER ACHTERAAN- ELIET DZC 450+5 PICTOGRAMMEN |
| 16 | 2 | BR 112 060 800 | PALIER + COL. (6/10/15X2+6.5) |
| 17 | 4 | BS 502 000 600 | DIN 985 ECRU NYLON M6 |
| 18 | 4 | BQ 505 010 560 | KLEVER--C550 HAAK |
| 19 | 1 | BQ 505 010 010 | AUT.ELIET CE 120X30 |
| 20 | 1 | BQ 505 112 098 | AUT. DECIBEL 98 DB |
| 21 | 1 | BR 000 910 220 | M U-PROFIEL REF.U1-220 |
| 22 | 12 | BS 512 000 614 | DIN 933 VIS M6X14 |
| 23 | 12 | BS 533 000 600 | DIN 127 RONDELLE GROER M6 |
| 24 | 1 | MPA 01 490 130 | CACHE BOITE DE TRANSMISSION |
| 25 | 1 | MPA 01 490 030 | CHASSIS |
| 26 | 1 | BQ 501 490 070 | KLEVER-ELIET DZC 450-BEDIENINGEN 300X70 |
| 27 | 1 | MPA 01 490 100 | BUTEE REGLAGE DE HAUTEUR |
| 28 | 3 | BS 512 000 820 | DIN 933 VIS M8X20 |
| 29 | 1 | BN 000 212 550 | BLOKEERSTIFT A-M12X1.5 |
| 30 | 1 | BS 532 008 223 | RONDELLE DE CARROSSERIE M8X22X1.5 |
| 31 | 1 | BR 112 121 090 | PALIER + COL. (12/16/22X2+8) |
| 32 | 1 | BS 501 901 202 | 6 KT MOER M12X1.5-DIN_439B-MF |
| 33 | 1 | BQ 501 490 050 | KLEVER ELIET DZC 450 DIEPTE INSTELLING-60X45 |
| 34 | 1 | BQ 505 010 650 | KLEVER-WAARSCHUWING NAAR VEILIGHEID 230 X 70 |
| 35 | 1 | BR 910 001 060 | RONDELLE NYLON Ø 50X12,2X2 |
| 36 | 1 | BQ 501 490 060 | KLEVER ELIET DZC ROSAS-110X100 |
| 37 | 1 | MPA 01 490 060 | TOLE CARTER |
| 38 | 2 | BS 522 100 630 | VERZONKENSCHROEF MET BINNENZESKANT |
| 39 | 1 | MPA 01 490 040 | SUPPORT ROUES AVANT |
| 40 | 1 | BQ 501 490 010 | KLEVER-ELIET DZC 450 VOORAAN 480X75 |
| 41 | 1 | BQ 360 505 180 | VEERGRENDEL MET HORIZONTALE TREKPEN-FFM.R.1615.R |
| 42 | 2 | MPA 01 420 105 | SCHARNIERAS SCHELP |
| 43 | 2 | BS 036 002 510 | RONDELLE D'AJUSTAGE 25X35X1 |
| 44 | 2 | MPA 01 420 100 | WIELSCHRAPER |
| 45 | 2 | BS 532 010 274 | SLUITRING 10,5X27X2 |
| 46 | 2 | BS 512 001 016 | DIN 933 VIS M10X16 |
| 47 | 2 | BR 112 201 500 | PALIER + COL. (20/24/30X2+13) |
| 48 | 1 | BR 000 910 450 | M U-PROFIEL REF.U1-450 |
| 49 | 2 | BW 325 025 000 | ROUE ALUMINIUM 250/60-100 |
| 50 | 4 | BS 531 000 800 | DIN 125 RONDELLE M8 |
| 51 | 2 | BS 532 008 306 | RONDELLE DE CARROSSERIE M8X30X3 |
| 52 | 2 | BS 533 000 800 | DIN 127 RONDELLE GROER M8 |

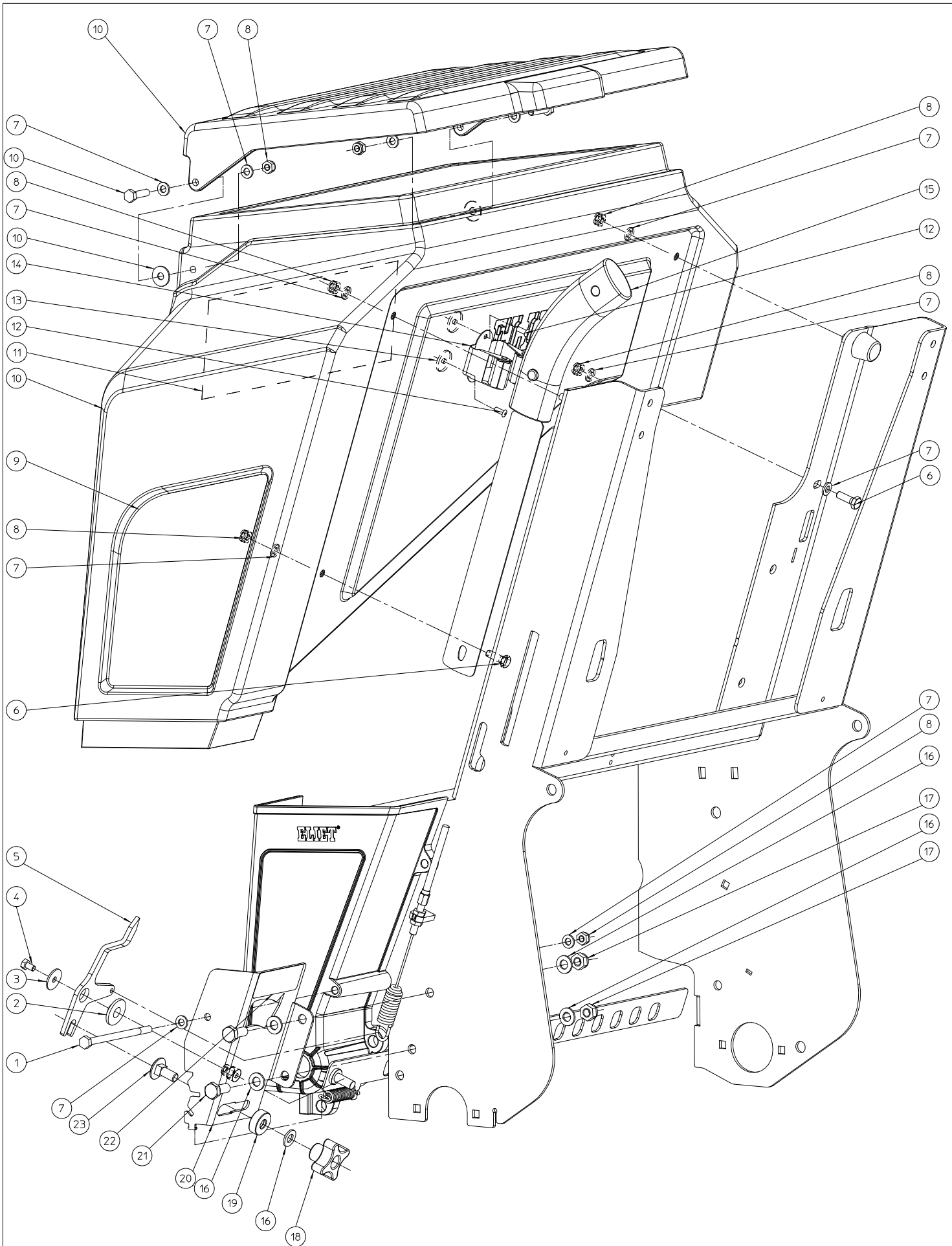
| | | | | |
|--|--|---|---------------|-----------------|
| | | PROJECT_NR | | |
| MATERIAL_NR | MATERIAL | LENGTH | OVERMAAT | |
| | | 0.0 | | |
| TITLE | | NAME | DATE MODIFIED | |
| DZC 450-MONTAGE GESTEL | | koen | 2020/05/25 | |
| | | NAME | DATE CREATED | |
| | | koen | 2020/05/25 | |
|  WWW.ELIET.BE |  Overall Tol ISO 2768-fH |  Machine D_Z_C 450 | FORMAT A4V | SCALE 1:1 |
| | ELIET N.V. - Zwevegemstraat 136 - B-8553 OTEGEM Tel.: +32/56/77.70.88 - Fax.: +32/56/77.5213 | DRW_NR MMA 01 490 110 | REVISION 1 | SHEET 2 of 2 |



| | | | | | | |
|--------------------------|----------------|-----|---|------|------------|--|
| DZC 450 MONTAGE MESSINAS | | | | | | |
| NO | MMA 01 490 120 | REV | 1 | DATE | 2020/05/24 | |

| Pos | Qté | Nom | Description |
|-----|-----|----------------|-----------------------------------|
| 1 | 3 | BS 512 000 620 | DIN 933 VIS M6X20 |
| 2 | 3 | BS 531 000 600 | DIN 125 RONDELLE M6 |
| 3 | 1 | BR 930 040 160 | ASS. CAGE VENTILATEUR + GRILLE |
| 4 | 1 | BS 512 170 816 | TAPBOUT_DIN_933-M8X16-LINKS |
| 5 | 1 | BS 532 008 254 | RONDELLE DE CARROSSERIE M8X25X2 |
| 6 | 1 | MPA 01 420 135 | VENTILATORSCHROEF |
| 7 | 49 | BS 502 000 800 | DIN 985 ECROU NYLON M8 |
| 8 | 49 | BS 531 000 800 | DIN 125 RONDELLE M8 |
| 9 | 2 | BL 801 102 002 | UCPFL-204 |
| 10 | 4 | BS 554 100 820 | DIN 603 VIS A BOIS M8X20 |
| 11 | 1 | BS 501 902 200 | DIN 439 1/2 ECROU M22 1.5 |
| 12 | 1 | MPA 01 420 055 | STEUNSLUITRING MESSER-R |
| 13 | 1 | BS 036 003 010 | PASRING 30X42X1 MM-DIN 988 |
| 14 | 30 | MPA 01 420 265 | MESPLAAT |
| 15 | 45 | BU 102 200 300 | MES |
| 16 | 15 | MPA 01 420 035 | TUSSENRING MES |
| 17 | 45 | BS 512 000 820 | DIN 933 VIS M8X20 |
| 18 | 1 | MPA 01 490 320 | AXE COUTEAUX |
| 19 | 14 | MPA 01 420 060 | AFSTANDSRING MESPLAAT.1 |
| 20 | 1 | MPA 01 490 330 | ENTRETOISE AXE COUTEAUX |
| 21 | 1 | BB 001 000 200 | CIRCLIPS EXTERIEUR DIN 471 DIA:20 |
| 22 | 1 | BS 036 002 005 | TOLERANTIEVLOOT 28X20X0.5 |
| 23 | 1 | BS 036 002 010 | RONDELLE D'AJUSTAGE 28X20X1 |

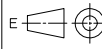

| | | | | | | |
|--|--|---|-----------|-------------|---------------|----------|
| MATERIAL_NNR | | MATERIAL | | PROJECT_NNR | LENGTH | OVERMAAT |
| | | | | | 0.0 | |
| TITLE | | | | NAME | DATE MODIFIED | |
| DZC 450 MONTAGE MESSENAS | | | | koen | 2020/05/24 | |
| | | | | NAME | DATE CREATED | |
| | | | | koen | 2020/05/23 | |
| ELIET WWW.ELIET.BE |  Overall Tol ISO 2768-fH | <input checked="" type="checkbox"/> () | Machine | FORMAT | SCALE | |
| | | | D_Z_C 450 | A4H | 1:1 | |
| ELIET N.V. - Zwevegemastraat 136 - B-8553 OTEGEM Tel.: +32/56/77.70.88 - Fax.: +32/56/77.5213 | | DRW_NNR | REVISION | SHEET | | |
| | | MMA 01 490 120 | 1 | 2 of 2 | | |

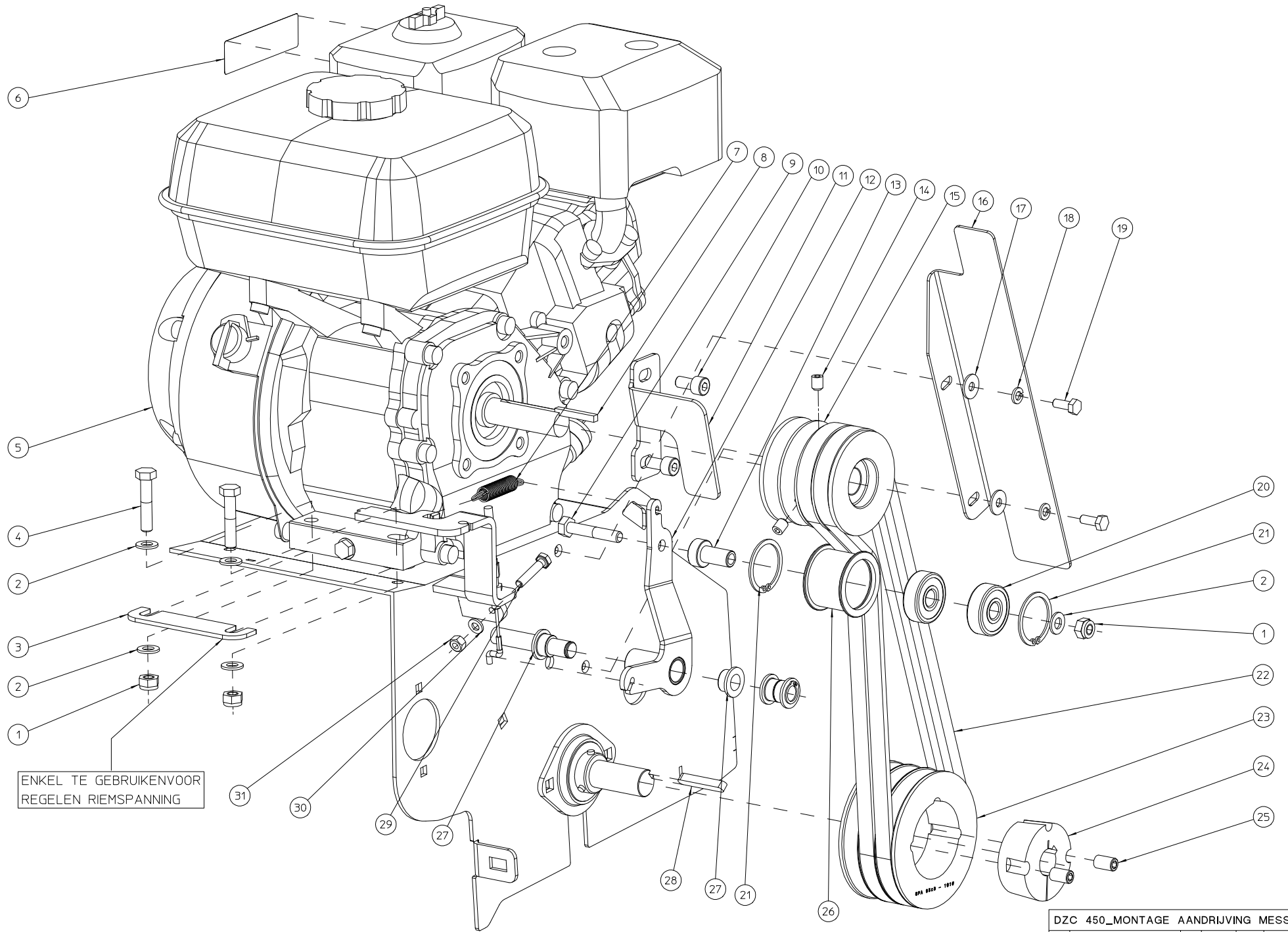


DZC 450-MONTAGE ZAADBAK+ZAADREGELING

| | | | | | |
|----|----------------|-----|---|------|------------|
| NO | MMA 01 490 130 | REV | 1 | DATE | 2020/05/25 |
|----|----------------|-----|---|------|------------|


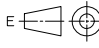

| Pos | Qté | Nom | Description |
|-----|-----|----------------|--------------------------------------|
| 1 | 1 | BS 511 000 650 | DIN 931 VIS M6X100 |
| 2 | 1 | BR 112 100 600 | PALIER + COL. (10/13,5/25X2,5+3,5) |
| 3 | 1 | BS 532 005 202 | RONDELLE DE CARROSSERIE M5X20X1 |
| 4 | 1 | BS 512 000 508 | DIN 933 VIS M5X8 |
| 5 | 1 | MPA 01 420 510 | SCHARNIERHEFBOOM |
| 6 | 2 | BS 512 000 618 | DIN 933 VIS M6X18 |
| 7 | 8 | BS 531 000 600 | DIN 125 RONDELLE M6 |
| 8 | 5 | BS 502 000 600 | DIN 985 ECROU NYLON M6 |
| 9 | 1 | BQ 501 490 040 | KLEVER-ELIET DZC 450-180X185 |
| 10 | 1 | BR 930 040 200 | ASS. TREMIE DE SEMENCES -- DZC450 |
| 11 | 1 | BQ 501 490 080 | KLEVER ELIET DZC 450 RENOVA-300X70 |
| 12 | 2 | BB 221 004 100 | DIN 7337 RIVET ACIER 3.9X10 |
| 13 | 2 | BS 532 004 202 | CAROSERIESLUITRING M4X20X1,2-ELVZ |
| 14 | 1 | BG 741 905 111 | GEREEDSCHAPSHOUDER WIT 22-35MM |
| 15 | 1 | BG 220 225 401 | ROLSCHRAPER |
| 16 | 5 | BS 531 000 800 | DIN 125 RONDELLE M8 |
| 17 | 2 | BS 502 000 800 | DIN 985 ECROU NYLON M8 |
| 18 | 1 | BN 630 808 400 | BOUTON CRANTES OUVERT M8 |
| 19 | 1 | MPA 01 420 225 | AFSTELRING DOSEERLAT |
| 20 | 1 | MPA 01 420 485 | SCHARNIERSTEUN DOSEERPLAAT |
| 21 | 2 | BS 512 000 820 | DIN 933 VIS M8X20 |
| 22 | 1 | BQ 501 490 090 | KLEVER ELIET DZC 450-DEBIET REGELING |
| 23 | 1 | BS 554 100 820 | DIN 603 VIS A BOIS M8X20 |

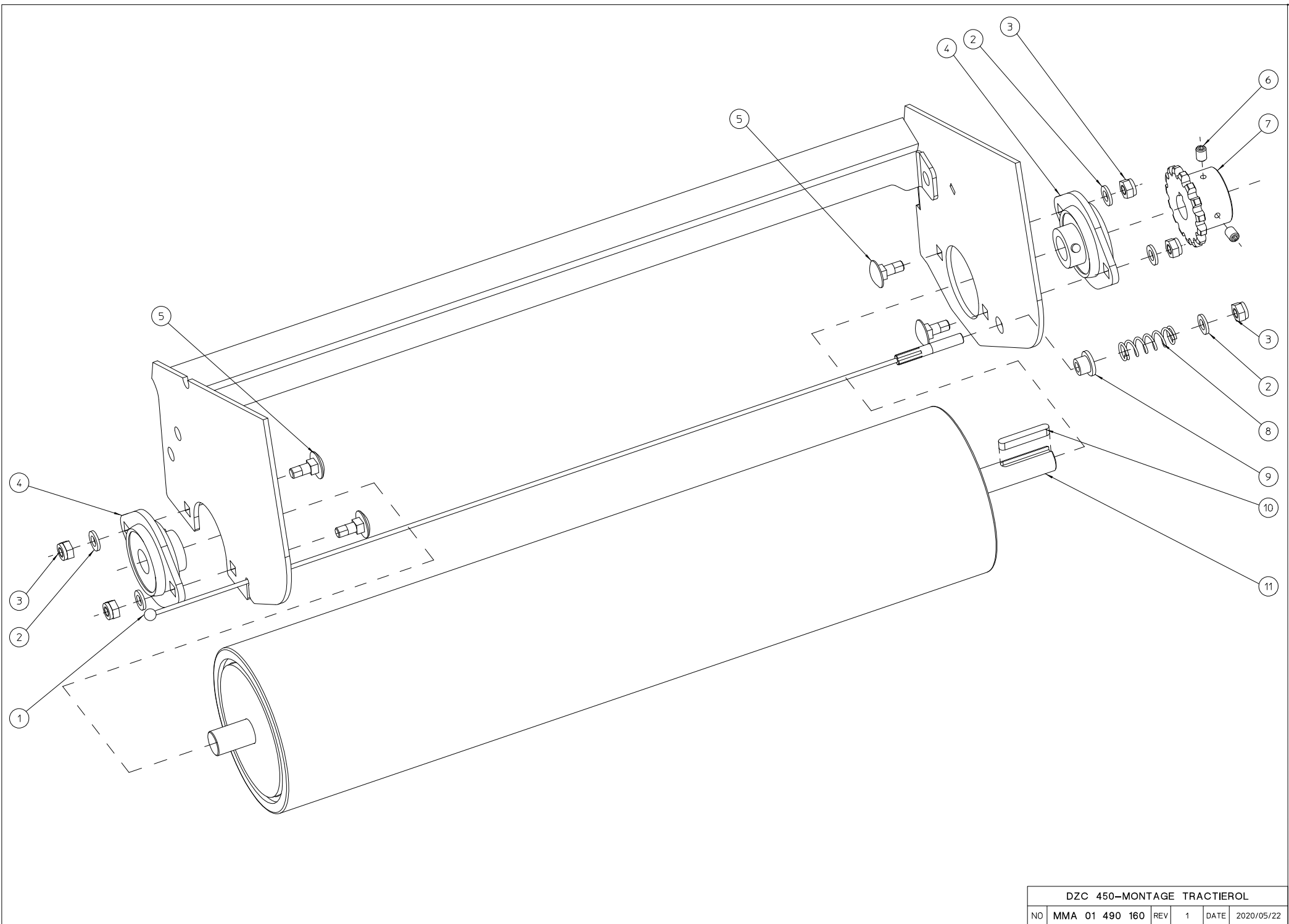
| | | | | | | |
|---|--|--|----------------|-------------|---------------|----------|
| MATERIAL_NNR | | MATERIAL | | PROJECT_NNR | LENGTH | OVERMAAT |
| | | | | | 0.0 | |
| TITLE | | | | NAME | DATE MODIFIED | |
| DZC 450-MONTAGE ZAADBAK+ZAADREGELING | | | | koen | 2020/05/25 | |
| | | | | NAME | DATE CREATED | |
| | | | | koen | 2020/05/25 | |
| ELIET WWW.ELIET.BE |  Overall Tol ISO 2768-fH |  Machine D_Z_C 450 | FORMAT | SCALE | | |
| | | | A4H | 1:1 | | |
| ELIET N.V. - Zwevegemstraat 136 - B-8553 OTEGEM Tel.: +32/56/77.70.88 - Fax.: +32/56/77.5213 | | | DRW_NNR | REVISION | SHEET | |
| | | | MMA 01 490 130 | 1 | 2 of 2 | |



ENKEL TE GEBRUIKENVOOR
REGELEN RIEMSPANNING


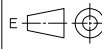

| Pos | Qté | Nom | Description |
|-----|-----|----------------|--|
| 1 | 5 | BS 502 000 800 | DIN 985 ECRou NYLON M8 |
| 2 | 9 | BS 531 000 800 | DIN 125 RONDELLE M8 |
| 3 | 2 | MPA 01 480 180 | TUSSENPLAATJE MOTOR |
| 4 | 4 | BS 511 000 840 | DIN 931 VIS M8X40 |
| 5 | 1 | BM 202 106 500 | HONDA GX 200 GX4 |
| 6 | 1 | BQ 505 010 030 | AUT.MAX 3200T/MIN.I 90X25 |
| 7 | 1 | BV 011 011 005 | TREKVEER 1X11X55 |
| 8 | 1 | BB 342 050 535 | DIN 6880 CLAVETTE 4.7X4.7X35 |
| 9 | 1 | BS 511 000 841 | DIN 931 VIS M8X45 |
| 10 | 2 | BS 521 140 816 | DIN 912 UMBRACO 5/16" X 5/8" |
| 11 | 1 | MPA 01 490 410 | GUIDE COURROIE |
| 12 | 1 | MPA 01 490 350 | LEVIER EMBRAYAGE COUTEAUX |
| 13 | 1 | MPA 01 490 360 | AXE TENDEUR |
| 14 | 2 | BS 023 000 810 | DIN 916 VIS DE PRESSION M8X10 |
| 15 | 1 | BA 565 707 141 | POULIE SPA 71-4 ALESAGE 3/4" 2X M8 |
| 16 | 1 | MPA 01 490 110 | GUIDE DE COURROIES |
| 17 | 2 | BS 532 006 183 | RONDELLE DE CARROSSERIE M6X18X1.5 DIN 440 |
| 18 | 2 | BS 533 000 600 | DIN 127 RONDELLE GROER M6 |
| 19 | 2 | BS 512 000 616 | DIN 933 VIS M6X16 |
| 20 | 2 | BL 001 203 703 | DIN 625 ROUL.NTN 6301 2RZ |
| 21 | 2 | BB 002 000 370 | BORGVEEER DIN-472 Ø37 |
| 22 | 2 | BA 527 708 890 | V-RIEM SPA ROFLEX GARDEN-4L350-889EXT |
| 23 | 1 | BA 562 709 530 | POULIE SPA 95-3 TL1610 |
| 24 | 1 | BB 501 132 000 | MOYEU AMOVIBLE TL1610_20 |
| 25 | 2 | BB 501 310 160 | BOULON POUR MOYEU AMOVIBLE-SCR 3/8" X5/8"<--->TL 1210-1610 |
| 26 | 1 | MPA 01 350 030 | MPA-AANDRUKROL_RIEMSPANNER |
| 27 | 2 | BR 112 121 090 | PALIER + COL. (12/16/22X2+8) |
| 28 | 1 | BB 351 060 640 | DIN 6885A CLAVETTE ARRONDIE 6X6X40 |
| 29 | 1 | BS 512 000 630 | DIN 933 VIS M6X30 |
| 30 | 1 | BS 531 000 600 | DIN 125 RONDELLE M6 |
| 31 | 1 | BS 502 000 600 | DIN 985 ECRou NYLON M6 |

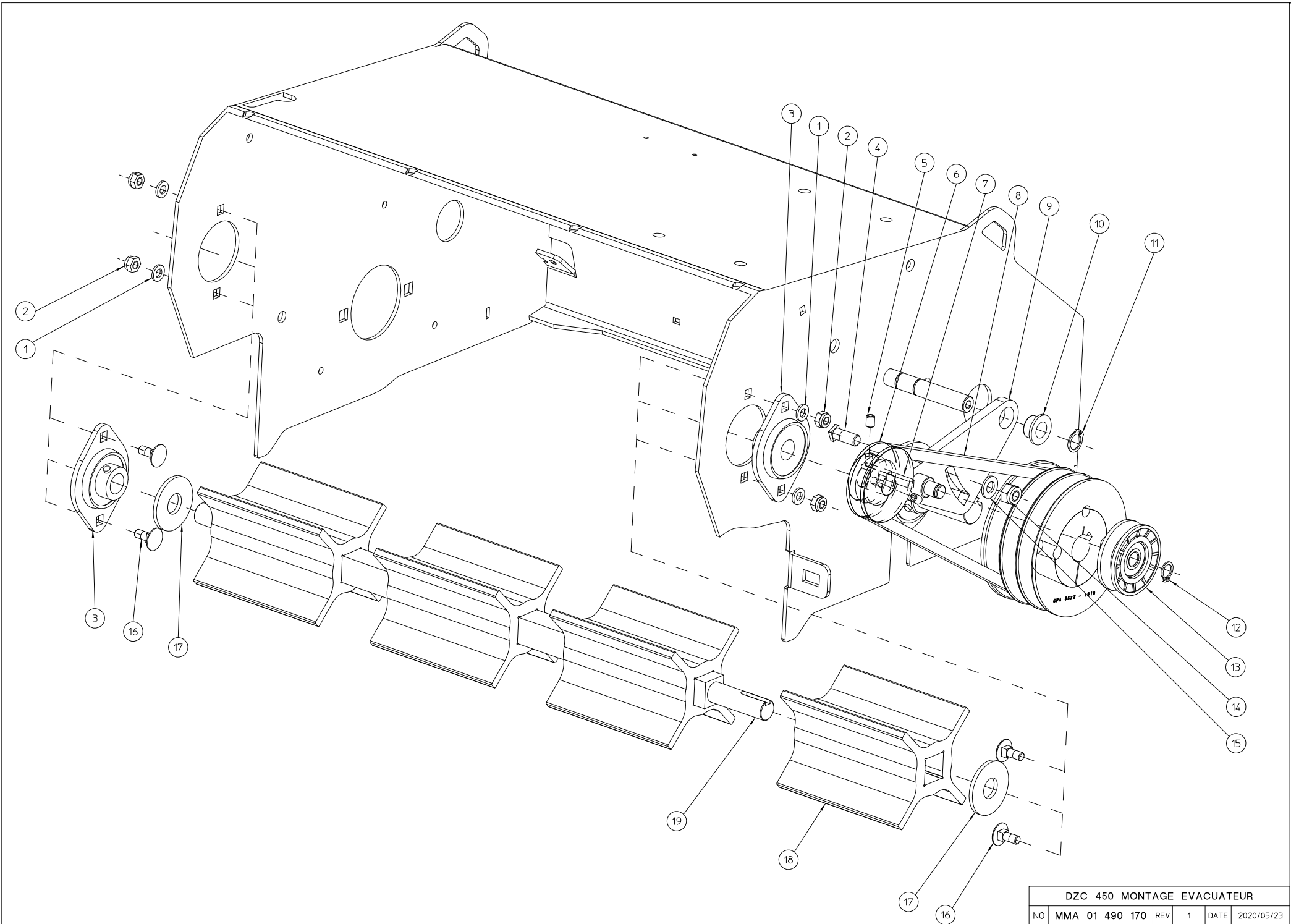
| | | | | | | |
|--|--|---|----------------|------------|---------------|----------|
| MATERIAL_NR | | MATERIAL | | PROJECT_NR | LENGTH | OVERMAAT |
| | | | | | 0.0 | |
| TITLE | | | | NAME | DATE MODIFIED | |
| DZC 450-MONTAGE AANDRIJVING MESSINAS | | | | dany | 2020/07/02 | |
| | | | | NAME | DATE CREATED | |
| | | | | koen | 2020/05/23 | |
|  WWW.ELIET.BE |  Overall Tol ISO 2768-FH |  () | Machine | FORMAT | SCALE | |
| | | | D_Z_C 450 | A4H | 1:1 | |
| ELIET N.V. - Zwevegemastraat 136 - B-8553 OTEGEM Tel.: +32/56/77.70.88 - Fax.: +32/56/77.5213 | | | DRW_NR | REVISION | SHEET | |
| | | | MMA 01 490 140 | 1 | 2 of 2 | |



| | | | | | | |
|----------------------------|----------------|-----|---|------|------------|--|
| DZC 450-MONTAGE TRACTIEROL | | | | | | |
| NO | MMA 01 490 160 | REV | 1 | DATE | 2020/05/22 | |


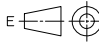

| Pos | Qté | Nom | Description |
|-----|-----|----------------|-------------------------------|
| 1 | 1 | BK 155 250 520 | CABLE RACLEUR Ø 2,5 X 520 MM |
| 2 | 5 | BS 531 000 600 | DIN 125 RONDELLE M6 |
| 3 | 5 | BS 502 000 600 | DIN 985 ECROU NYLON M6 |
| 4 | 2 | BL 801 101 500 | PALIER COMPLET ASPFL 202 |
| 5 | 4 | BS 554 100 616 | DIN 603 VIS A BOIS M6X16 |
| 6 | 2 | BS 023 000 608 | DIN 916 VIS DE PRESSION M6X8 |
| 7 | 1 | BA 171 015 150 | KETTINGWIEL 3/8"X7/32" -15T |
| 8 | 1 | BV 925 000 010 | DRUKVEER Ø1.3X Ø11X33.6 |
| 9 | 1 | BR 112 060 800 | PALIER + COL. (6/10/15X2+6.5) |
| 10 | 1 | BB 351 050 532 | SPIE DIN-6885-A 5X5X32 |
| 11 | 1 | MPA 01 490 050 | ROULEAU ARRIERE |

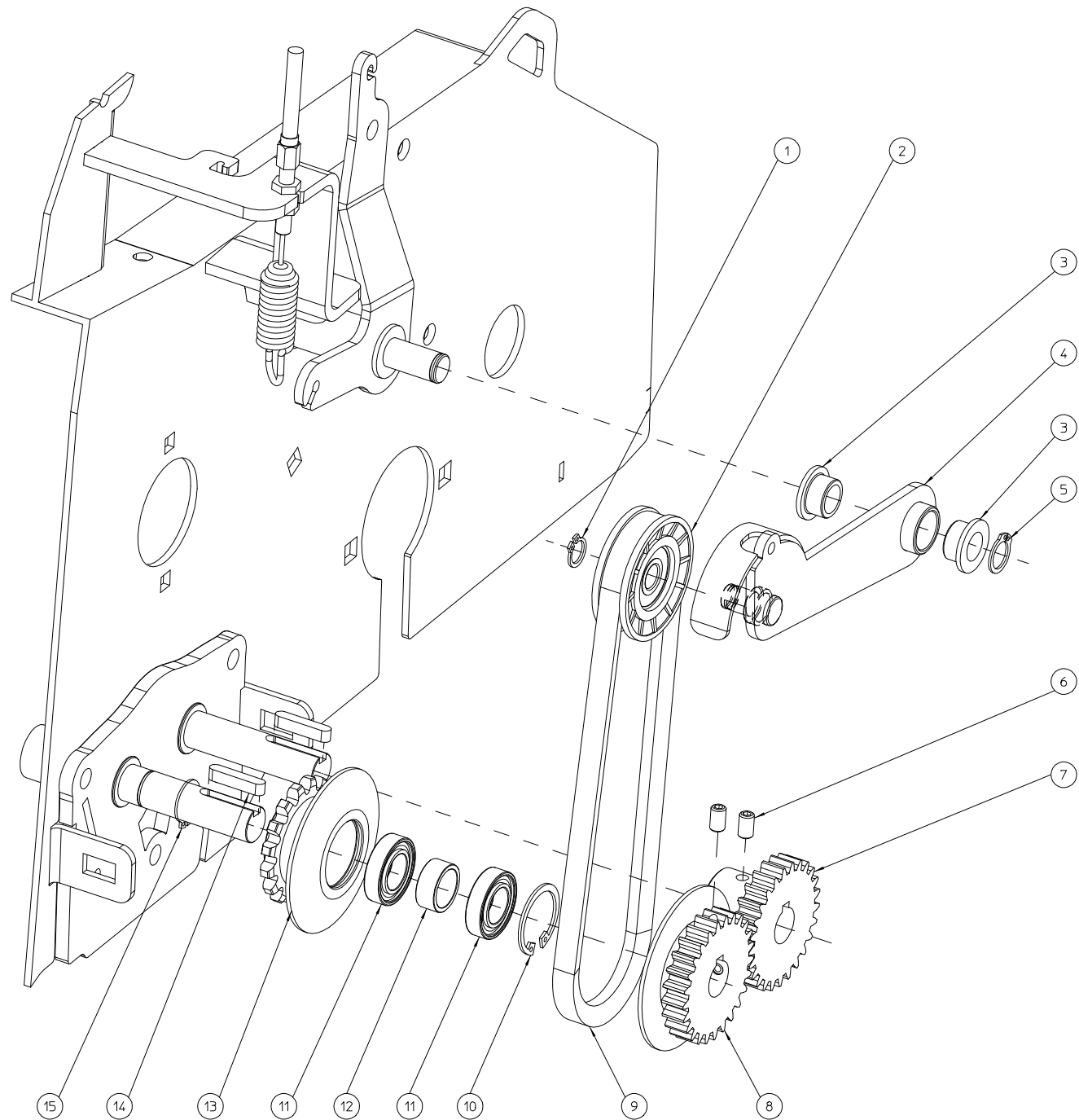
| | | | | | | |
|--|---|-------------|----------------|---|---------------|-----------|
| MATERIAL_NR | | MATERIAL | | PROJECT_NR | LENGTH | OVERMAAT |
| | | | | | 0.0 | |
| TITLE | | | | NAME | DATE MODIFIED | |
| ROULEAU TRACTION | | | | koen | 2020/05/22 | |
| | | | | NAME | DATE CREATED | |
| | | | | koen | 2020/05/22 | |
|  WWW.ELIET.BE |  | Overall Tol | ISO 2768-fH |  | Machine | D_Z_C 450 |
| | | FORMAT | A4H | | SCALE | 1:1 |
| ELIET N.V. - Zwevegemstraat 136 - B-8553 OTEGEM Tel.: +32/56/77.70.88 - Fax.: +32/56/77.5213 | | DRW_NR | MMA 01 490 160 | | REVISION | SHEET |
| | | | | | 1 | 2 of 2 |



| DZC 450 MONTAGE EVACUATEUR | | | | | | |
|----------------------------|----------------|-----|---|------|------------|--|
| NO | MMA 01 490 170 | REV | 1 | DATE | 2020/05/23 | |


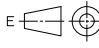
| Pos | Qté | Nom | Description |
|-----|-----|----------------|---|
| 1 | 4 | BS 531 000 600 | DIN 125 RONDELLE M6 |
| 2 | 4 | BS 502 000 600 | DIN 985 ECROU NYLON M6 |
| 4 | 1 | BS 554 100 825 | DIN 603 VIS A BOIS M8X25 |
| 5 | 2 | BS 023 000 608 | DIN 916 VIS DE PRESSION M6X8 |
| 6 | 1 | BA 564 705 002 | POULIE SPZ 50 ALESAGE 15MM+CLAVETTE 5MM |
| 7 | 1 | BB 351 050 525 | SPIE DIN 6885-A 5X5X25 |
| 8 | 1 | BA 521 106 300 | COURROIE XPZ 630 |
| 9 | 1 | MPA 01 490 120 | LEVIER TENDEUR DE COURROIE EJECTEUR |
| 10 | 1 | BR 112 121 090 | PALIER + COL. (12/16/22X2+8) |
| 11 | 1 | BB 001 000 120 | CIRCLIPS EXTERIEUR DIN 471 DIA:12 |
| 12 | 1 | BB 001 000 100 | CIRCLIPS EXTERIEUR DIN 471 DIA:10 |
| 13 | 1 | BA 599 094 350 | V-SPANRIEMSCHIJF GM 0138-10128 |
| 14 | 1 | BS 502 000 800 | DIN 985 ECROU NYLON M8 |
| 15 | 1 | BS 531 000 800 | DIN 125 RONDELLE M8 |
| 16 | 4 | BS 554 100 616 | DIN 603 VIS A BOIS M6X16 |
| 17 | 2 | MPA 01 490 310 | RONDELLE BUTTEE EJECTEUR |
| 18 | 4 | BR 900 001 880 | EJECTEUR CAOUTCHOUC Ø 100MM |
| 19 | 1 | MPA 01 490 300 | AXE EJECTEUR |
| 3 | 2 | BL 801 101 500 | PALIER COMPLET ASPFL 202 |

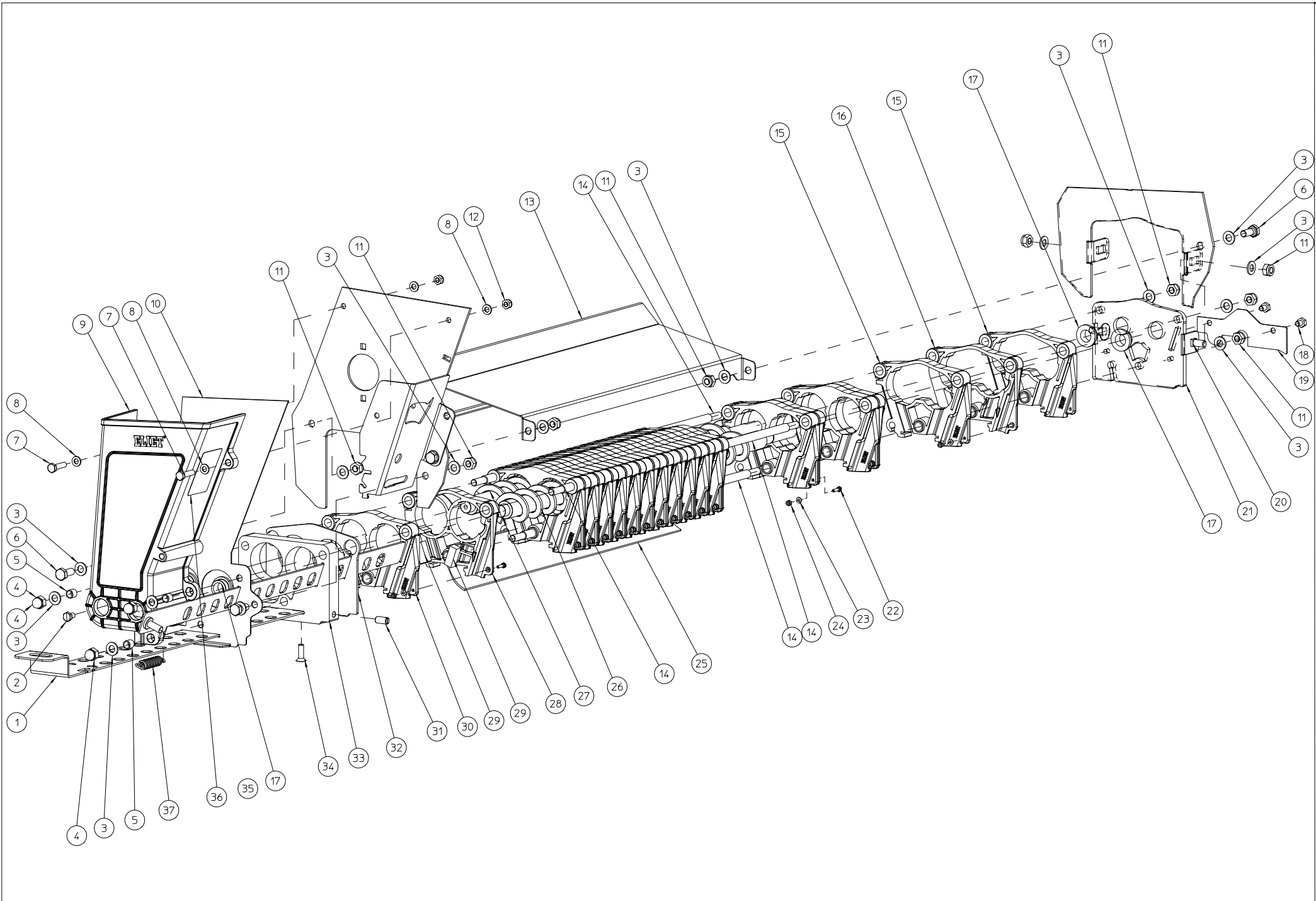
| | | | | | |
|--|--|--|----------|--------|---------------|
| MATERIAL_NNR | | MATERIAL | | LENGTH | OVERMAAT |
| | | | | 0.0 | |
| TITLE | | | | NAME | DATE MODIFIED |
| DZC 450 MONTAGE EVACUATEUR | | | | koen | 2020/05/23 |
| | | | | NAME | DATE CREATED |
| | | | | koen | 2020/05/22 |
|  WWW.ELIET.BE |  Overall Tol ISO 2768-fH |  Machine D_Z_C 450 | FORMAT | SCALE | |
| | | | A4H | 1:1 | |
| ELIET N.V. - Zwevegemstraat 136 - B-8553 OTEGEM Tel.: +32/56/77.70.88 - Fax.: +32/56/77.5213 | | DRW_NNR | REVISION | SHEET | |
| | | MMA 01 490 170 | 1 | 2 of 2 | |



| | | | | | |
|---------------------------------------|----------------|-----|---|------|------------|
| DZC 450-AANDRIJVING ARCHIMEDESSCHROEF | | | | | |
| NO | MMA 01 490 180 | REV | 1 | DATE | 2020/05/25 |


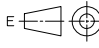

| Pos | Qté | Nom | Description |
|-----|-----|----------------|--|
| 1 | 1 | BB 001 000 100 | CIRCLIPS EXTERIEUR DIN 471 DIA:10 |
| 2 | 1 | BA 599 094 350 | V-SPANRIEMSCHIJF GM 0138-10128 |
| 3 | 2 | BR 112 121 090 | PALIER + COL. (12/16/22X2+8) |
| 4 | 1 | MPA 01 490 270 | LEVIER EMBRAYAGE SEMOIR |
| 5 | 1 | BB 001 000 120 | CIRCLIPS EXTERIEUR DIN 471 DIA:12 |
| 6 | 4 | BS 023 000 610 | DIN 916 VIS DE PRESSION M6X10 |
| 7 | 1 | BA 602 002 502 | TANDWIEL M2 25T-BORING Ø15+SPIE |
| 8 | 1 | MPA 01 420 320 | TANDWIEL-M2 25T+1/2-V-RIEMSCHIJF DM656 |
| 9 | 1 | BA 521 104 870 | COURROIE XPZ 487 |
| 10 | 1 | BB 002 000 280 | CIRCLIPS INTERIEUR DIN 472 DIA:28 |
| 11 | 2 | BL 001 502 803 | LAGER NTN 15X28X7_6902-2RS1 |
| 12 | 1 | MPA 01 490 290 | ENTRETOISE POULIE TRANSMISSION SEMOIR |
| 13 | 1 | MPA 01 490 280 | POULIE TRANSMISSION SEMOIR |
| 14 | 2 | BB 351 050 525 | SPIE DIN 6885-A 5X5X25 |
| 15 | 1 | BB 001 000 150 | CIRCLIPS EXTERIEUR DIN 471 DIA:15 |

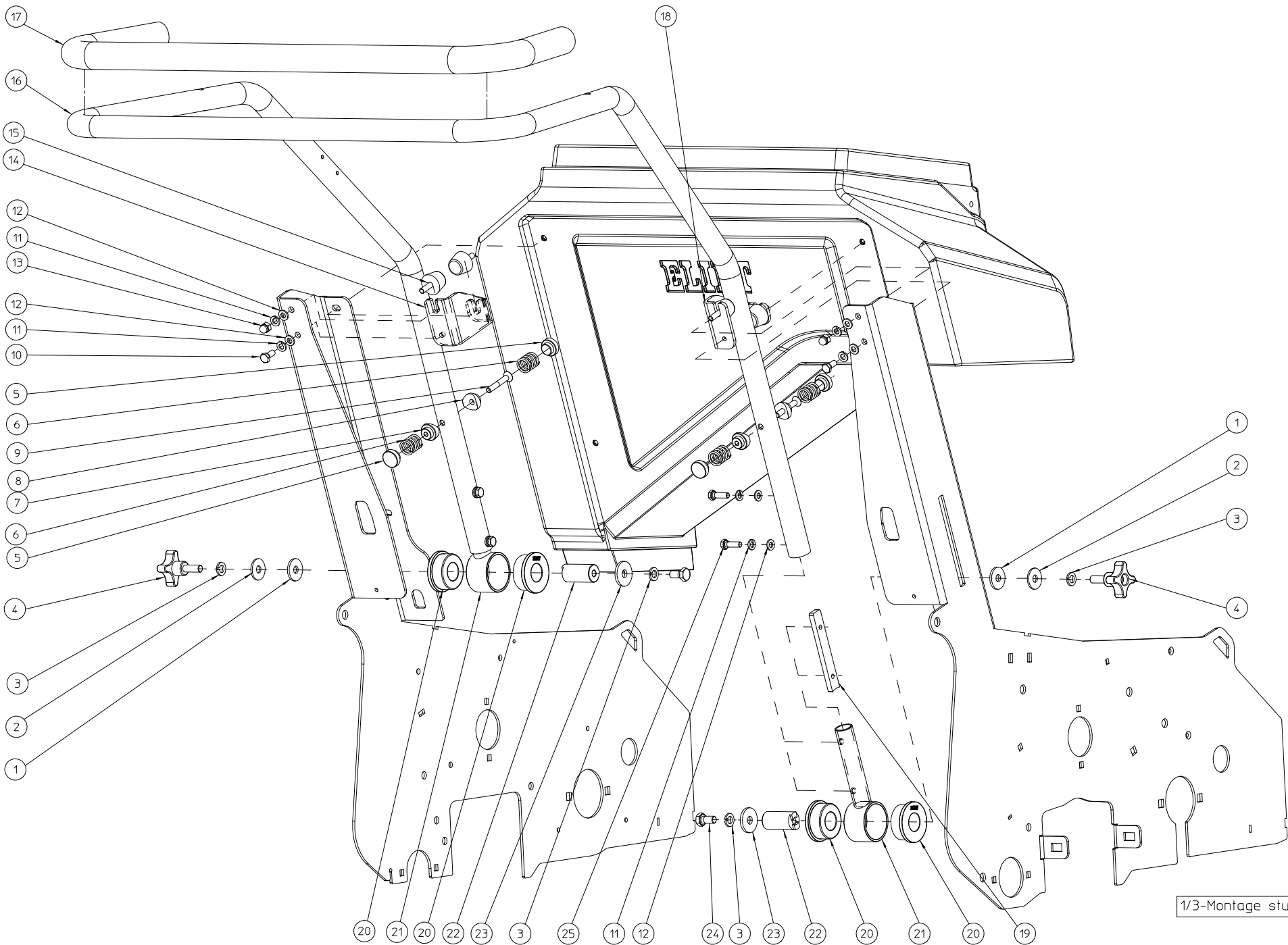
| | | | | | | |
|--|--|---|----------------|------------|---------------|----------|
| MATERIAL_NR | | MATERIAL | | PROJECT_NR | LENGTH | OVERMAAT |
| | | | | | 0.0 | |
| TITLE | | | | NAME | DATE MODIFIED | |
| DZC 450-AANDRIJVING ARCHIMEDESSCHROEF | | | | koen | 2020/05/25 | |
| | | | | NAME | DATE CREATED | |
| | | | | koen | 2020/05/25 | |
|  WWW.ELIET.BE |  Overall Tol ISO 2768-fH | <input checked="" type="checkbox"/> () | Machine | FORMAT | SCALE | |
| | | | D_Z_C 450 | A4H | 1:1 | |
| ELIET N.V - Zwevegemastraat 136 - B-8553 OTEGEM Tel.: +32/56/77.70.88 - Fax.: +32/56/77.5213 | | | DRW_NR | REVISION | SHEET | |
| | | | MMA 01 490 180 | 1 | 2 of 2 | |



| DZC 450 MONTAGE ZAAI-UNIT | | | | | | |
|---------------------------|----------------|-----|---|------|------------|--|
| NO | MMA 01 490 190 | REV | 1 | DATE | 2020/05/28 | |

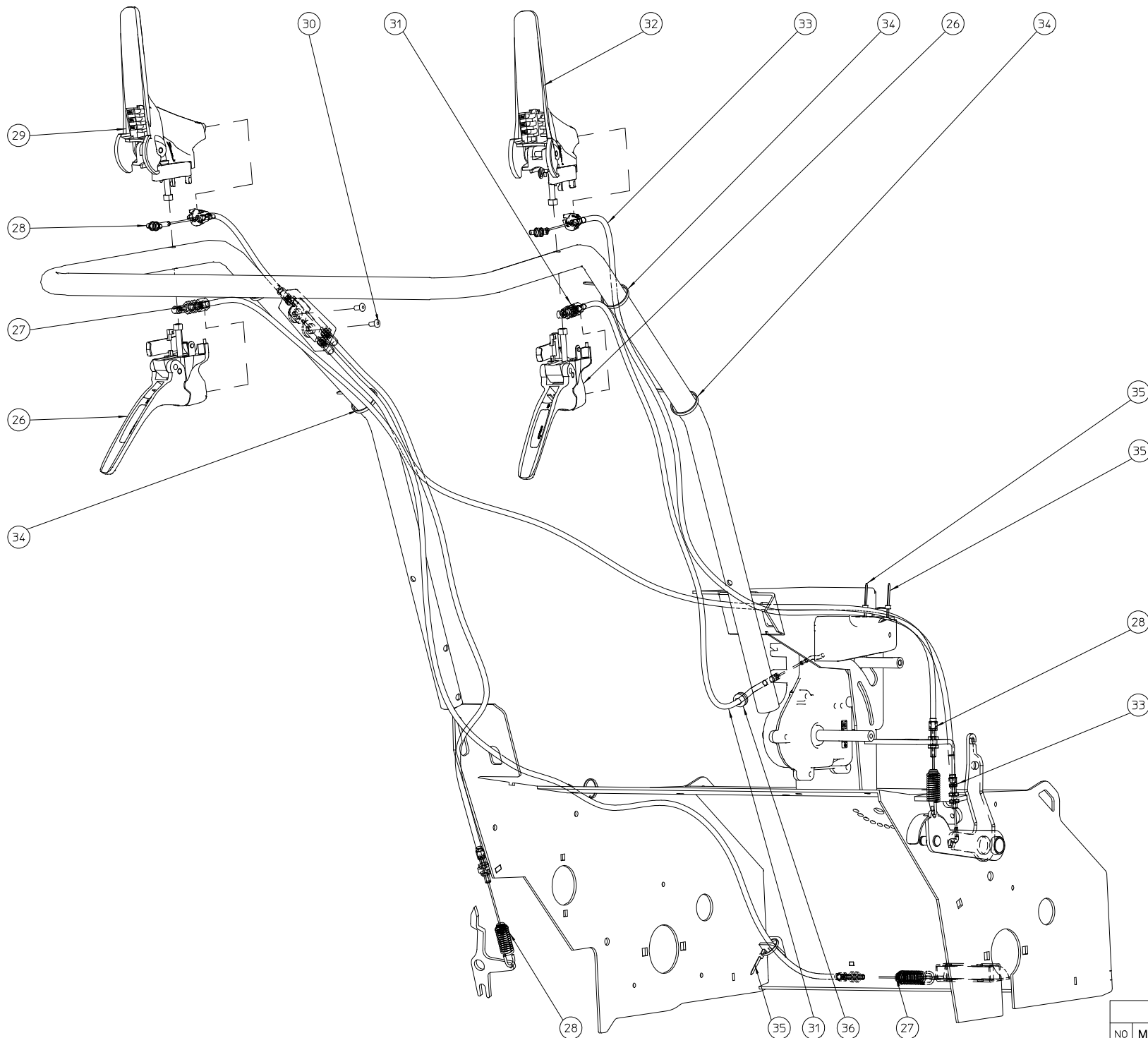
| Pos | Qté | Nom | Description |
|-----|-----|----------------|---|
| 1 | 1 | MPA 01 490 230 | TOLE VIDANGE SEMOIR |
| 2 | 1 | BS 912 000 610 | VISUELE ROTERINGSBOUT DIN 933-M6X10 |
| 3 | 14 | BS 531 000 800 | DIN 125 RONDELLE M8 |
| 4 | 3 | BS 505 500 800 | DIN 1587 ECRU TETE RONDE M8 |
| 5 | 3 | MPA 01 420 800 | AFSTAND BUS |
| 6 | 3 | BS 512 000 820 | DIN 933 VIS M8X20 |
| 7 | 2 | BS 512 000 625 | DIN 933 VIS M6X25 |
| 8 | 4 | BS 531 000 600 | DIN 125 RONDELLE M6 |
| 9 | 1 | BR 930 040 170 | ENTONNOIR DE SEMENCES VERSION 2020 |
| 10 | 1 | MPA 01 490 200 | TOLE CÔTE SUPPORT SEMOIR |
| 11 | 8 | BS 502 000 800 | DIN 985 ECRU NYLON M8 |
| 12 | 2 | BS 502 000 600 | DIN 985 ECRU NYLON M6 |
| 13 | 1 | MPA 01 490 090 | TÔLE PROTECTION SEMOIR |
| 14 | 3 | MPA 01 490 260 | TIGE ENTRETOISE SEMOIR |
| 15 | 2 | BR 930 040 140 | ELEMENT GAUCHE BOUT DE SEMOIR (FRAISER) |
| 16 | 1 | BR 930 040 130 | ELEMENT DROIT BOUT DE SEMOIR (FRAISER) |
| 17 | 4 | BR 112 151 090 | IGIDUUR M250 FLENSGLIJLAGER MFM 1521-10 |
| 18 | 2 | BS 512 000 608 | DIN 933 VIS M6X8 |
| 19 | 1 | MPA 01 490 190 | PLAT VERROUILLAGE BAVETTE |
| 20 | 2 | BS 554 100 820 | DIN 603 VIS A BOIS M8X20 |
| 21 | 1 | MPA 01 490 180 | SUPPORT DROIT SEMOIR |
| 22 | 15 | BS 512 000 312 | TAPBOUT M3X12 DIN933-ELVZ |
| 23 | 15 | BS 531 000 300 | DIN 125 RONDELLE M3 |
| 24 | 15 | BS 502 000 300 | DIN 985 MOER M3 |
| 25 | 1 | BY 431 306 047 | PVC STRIP TYPE 1T29 SNAAR Ø5X60X470 |
| 26 | 1 | MPA 01 490 240 | VIS ALIMENTATION SEMOIR |
| 27 | 1 | MPA 01 490 250 | VIS RETOUR SEMOIR |
| 28 | 14 | BR 930 040 110 | ELEMENT DE SEMOIR DROIT VERSION 2020 |
| 29 | 2 | BR 001 510 103 | EPDM CELRUBBER 10X10 LG 25MM |
| 30 | 14 | BR 930 040 120 | ELEMENT DE SEMOIR GAUCHE VERSION 2020 |
| 31 | 1 | BS 051 600 816 | VIS DE PRESSION A RESSORT AVEC BILLE ET FENTE ACIER M8X16 |
| 32 | 1 | MPA 01 490 210 | TOLE ENTRETOISE SEMOIR |
| 33 | 1 | MPA 01 490 370 | ENTRETOISE ELEMENT SEMOIR |
| 34 | 1 | BS 522 100 620 | DIN 7991 VIS A TETE FRAISEE M6X20 |
| 35 | 1 | MPA 01 490 220 | LATTE REGLAGE DEBIT SEMENCES |
| 36 | 1 | BQ 501 251 071 | KLEVER ELIET HELIX SEED DUCT-40X60 |
| 37 | 1 | BV 925 000 030 | TREKVEER Ø1,8XØ13X57-20 WINDINGEN |

| | | | | | | |
|--|---|---|-------------|---|----------------|-----------|
| MATERIAL_NR | | MATERIAL | | PROJECT_NR | LENGTH | OVERMAAT |
| | | | | | 0.0 | |
| TITLE | | | | NAME | DATE MODIFIED | |
| DZC 450 MONTAGE ZAAI-UNIT | | | | koen | 2020/05/28 | |
| | | | | NAME | DATE CREATED | |
| | | | | koen | 2020/05/28 | |
|  WWW.ELIET.BE |  | Overall Tol | ISO 2768-fH |  | Machine | D_Z_C 450 |
| | | ELIET N.V. - Zwevegemstraat 136 - B-8553 OTEGEM Tel.: +32/56/77.70.88 - Fax.: +32/56/77.5213 | DRW_NR | | MMA 01 490 190 | FORMAT |
| | | | | REVISION | SHEET | |
| | | | | 1 | 2 of 2 | |



1/3-Montage stuur

| | | | | | | |
|-----------------------|----------------|-----|---|------|------------|--|
| DZC 450-MONTAGE STUUR | | | | | | |
| NO | MMA 01 490 200 | REV | 1 | DATE | 2020/05/27 | |


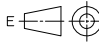


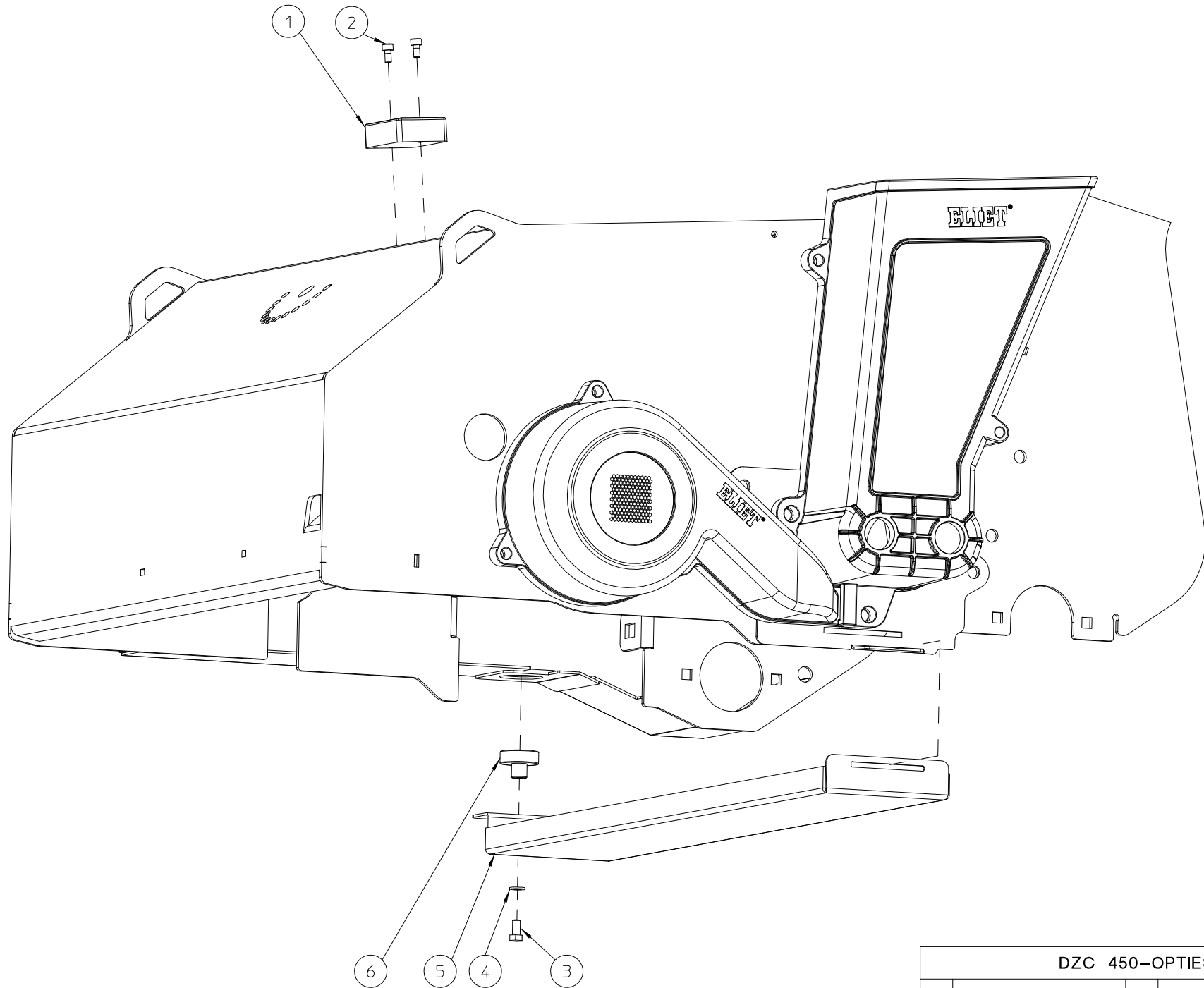
2/3-Montage Stuur

| | | | | | | |
|-----------------------|----------------|-----|---|------|------------|--|
| DZC 450-MONTAGE STUUR | | | | | | |
| NO | MMA 01 490 200 | REV | 1 | DATE | 2020/05/27 | |

| Pos | Qté | Nom | Description |
|-----|-----|----------------|---|
| 1 | 2 | BR 111 080 200 | RONDELLE NYLON 8,4 X 25 X 2,5 |
| 2 | 2 | BS 532 008 254 | RONDELLE DE CARROSSERIE M8X25X2 |
| 3 | 4 | BS 533 000 800 | DIN 127 RONDELLE GROER M8 |
| 4 | 2 | BN 630 208 200 | BOUTON_CRANTES_M8X20 |
| 5 | 4 | BR 910 001 090 | BUTTEE RESSORT GUIDON |
| 6 | 4 | BV 925 000 040 | DRUKVEER 2X17,5X22,5 |
| 7 | 2 | BR 910 001 080 | BAGUE RESSORT GUIDON (PARTIE FILETEE) |
| 8 | 2 | BR 910 001 070 | BAGUE RESSORT GUIDON (PARTIE CONIQUE) |
| 9 | 2 | BS 522 100 640 | DIN 7991 VIS A TETE FRAISEE M6X40 |
| 10 | 2 | BS 512 000 614 | DIN 933 VIS M6X14 |
| 11 | 8 | BS 533 000 600 | DIN 127 RONDELLE GROER M6 |
| 12 | 8 | BS 531 000 600 | DIN 125 RONDELLE M6 |
| 13 | 2 | BS 505 500 600 | DIN 1587 ECROU TETE RONDE M6 |
| 14 | 1 | MPA 01 490 390 | BUTEE GAUCHE GUIDON |
| 15 | 4 | BR 600 425 170 | CYLINDRE BLOC D:25 L:17 M6X18 |
| 16 | 1 | MPA 01 490 150 | GUIDON |
| 17 | 1 | BN 231 002 090 | SOFT_GRIP-SCHLAUG_TP_K_24 |
| 18 | 1 | MPA 01 490 380 | BUTEE DROITE GUIDON |
| 19 | 2 | MPA 01 480 245 | KLEMPLAAT STUUR |
| 20 | 4 | BR 900 001 860 | SILENBLOC AMORTISSEUR |
| 21 | 2 | MPA 01 480 165 | SCHARNIER KLEMBEUGEL STUUR |
| 22 | 2 | MPA 01 420 875 | SCHARNIER KLEMBUS |
| 23 | 2 | BS 532 008 306 | RONDELLE DE CARROSSERIE M8X30X3 |
| 24 | 2 | BS 512 000 816 | DIN 933 VIS M8X16 |
| 25 | 4 | BS 512 000 620 | DIN 933 VIS M6X20 |
| 26 | 2 | BN 332 500 870 | HENDEL SACCON LMBC5BB40-MBO-STROKE_DIA.25 BLACK |
| 27 | 1 | BK 156 181 670 | CABLE DZC 450 VERROU ROUE AVANT |
| 28 | 1 | BK 156 181 795 | CABLE DZC450 SEMOIR+VIS SANS FIN |
| 29 | 1 | BN 332 500 670 | BEDIENIGSHENDEL SACCON LMSSY10-MBO-STROKE_27-DIA25 GEEL |
| 30 | 2 | BB 221 005 100 | DIN 7337 RIVET ACIER 4.8X10 |
| 31 | 1 | BK 156 180 986 | CABLE DZC 450 EMBRAYAGE BOITE |
| 32 | 1 | BN 332 500 570 | DODEMANSHENDEL SACCON LMSSR10 MBO-STROKE_27-ROOD |
| 33 | 1 | BK 156 181 323 | CABLE DZC 450 TENDEUR COURROIE |
| 34 | 4 | BE 043 010 140 | COLSON 140 X 3.5 NOIR |
| 35 | 4 | BE 043 010 100 | COLSON 100 X 2.5 NOIR |
| 36 | 1 | BR 000 208 030 | PASSE-FILS EN CAOUTCHOUC 8/3 |

3/3-Montage Stuur

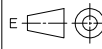
| | | | | | | |
|--|--|---|----------------|------------|---------------|----------|
| MATERIAL_NR | | MATERIAL | | PROJECT_NR | LENGTH | OVERMAAT |
| | | | | | 0.0 | |
| TITLE | | | | NAME | DATE MODIFIED | |
| DZC 450-MONTAGE STUUR | | | | koen | 2020/05/27 | |
| | | | | NAME | DATE CREATED | |
| | | | | koen | 2020/05/25 | |
|  WWW.ELIET.BE |  Overall Tol ISO 2768-fH | <input checked="" type="checkbox"/> () Machine | D_Z_C 450 | | FORMAT | SCALE |
| | | | | | A4H | 1:1 |
| ELIET N.V. - Zwevegemstraat 136 - B-8553 OTEGEM Tel.: +32/56/77.70.88 - Fax.: +32/56/77.5213 | | DRW_NR | MMA 01 490 200 | | REVISION | SHEET |
| | | | | | 1 | 3 of 3 |



DZC 450-OPTIES

| | | | | | |
|----|----------------|-----|---|------|------------|
| NO | MMA 01 490 210 | REV | 1 | DATE | 2020/05/27 |
|----|----------------|-----|---|------|------------|

| Pos | Qté | Nom | Description |
|-----|-----|----------------|---|
| 1 | 1 | BE 412 410 001 | COMPTEUR-HEURE SENDEC ELIET |
| 2 | 2 | BS 521 100 408 | CILINDERKOPSCHROEF MET BINNENZESKANT M4X8-DIN 912 |
| 3 | 1 | BS 512 000 510 | HEXAGON_HEAD_SCREW_DIN_933-M5X10 |
| 4 | 1 | BS 531 000 500 | DIN 125 RONDELLE M5 |
| 5 | 1 | MPA 01 490 400 | BAC MESURE SEMENCE |
| 6 | 1 | BE 120 040 070 | RONDE-POTMAGNEET-MET-DRAAD-BUS-M5-DIAM25 |

| | | | | | |
|---|--|---|-----------|--------|---------------|
| MATERIAL_NBR | | MATERIAL | | LENGTH | OVERMAAT |
| | | | | 0.0 | |
| TITLE | | | | NAME | DATE MODIFIED |
| DZC 450-OPTIES | | | | koen | 2020/05/27 |
| | | | | NAME | DATE CREATED |
| | | | | koen | 2020/05/26 |
| ELIET WWW.ELIET.BE |  Overall Tol ISO 2768-fH | <input checked="" type="checkbox"/> () | Machine | FORMAT | SCALE |
| | | | D_Z_C 450 | A4H | 1:1 |
| ELIET N.V - Zwevegemastraat 136 - B-8553 OTEGEM Tel.: +32/56/77.70.88 - Fax.: +32/56/77.5213 | | DRW_NBR | REVISION | SHEET | |
| | | MMA 01 490 210 | 1 | 2 of 2 | |