

# ELIET

rolling lawn edger KS 300 PRO





# ELIET

## rolling lawn edger KS 300 PRO

There is no doubt that a lawn only looks at its best when the edges have also been neatly cut. The quality with which the lawn edge is finished affects appearance of the whole lawn.

As a professional gardener, you can't afford to miss this opportunity to leave your business card in a garden. So choose a lawn edger that enables you to deliver the highest possible quality.

## Garden maintenance

If garden maintenance is your profession, you know you have to select machinery with which you can work efficiently and comfortably. The **ELIET KS 300 PRO** has been specially developed to meet these exact requirements.

This professional lawn edger not only comes with the largest cutting blade (Ø 300 mm) currently available on the market, but this machine also provides the very best in ergonomics. With 7 possible positions at his disposal, the operator can always adjust the handlebar to the ideal height and give himself

sufficient leg room. In addition, the soft rubber grip offers vibration free handle operation. The specially designed rubber cover over the blade stops debris being thrown towards the operator.

This means that no additional protection is needed so the operator has an excellent view of the working area.

A line marked on this cover shows the operator just where the blade is rotating. Large, easy running, high quality wheels with large bearings minimize the effort needed to push the machine, even over uneven ground.

### ① Vibration damped handlebar

The soft foam rubber covering the handles aids operator comfort. A vibration free handle makes it easy to work longer hours.

### ② High operator safety

The wide dead man clutch control lever provides maximum safety and prevents the machine from cutting out inadvertently.

### ③ Ergonomic height adjustment

With 7 adjustment positions **ELIET** not only enables the handle to be raised or lowered to an ergonomically correct height, but also provides plenty of user leg room for walking.



### Rubber Blade Cover

The special shape protects the operator against mud and debris being thrown up.

The rubber absorbs the impact of stones, thus reducing noise and improving safety.

### Blade diameter 300 mm

The **ELIET KS 300 Pro** boasts the largest cutting blade on the market. This offers a number of benefits: greater active working depth, cleaner cut via higher blade speed as well as 20% longer blade life.



### Easy running high quality wheels

Thanks to the large double ball bearings and the wide rubber tread, the machine is stable and runs exceptionally easily.

## Professional engines.

As a professional user, you quite rightly place more stringent requirements on the engine. Only the best engines are used for the **KS 300 PRO**



**HONDA**

## Extra lubrication points

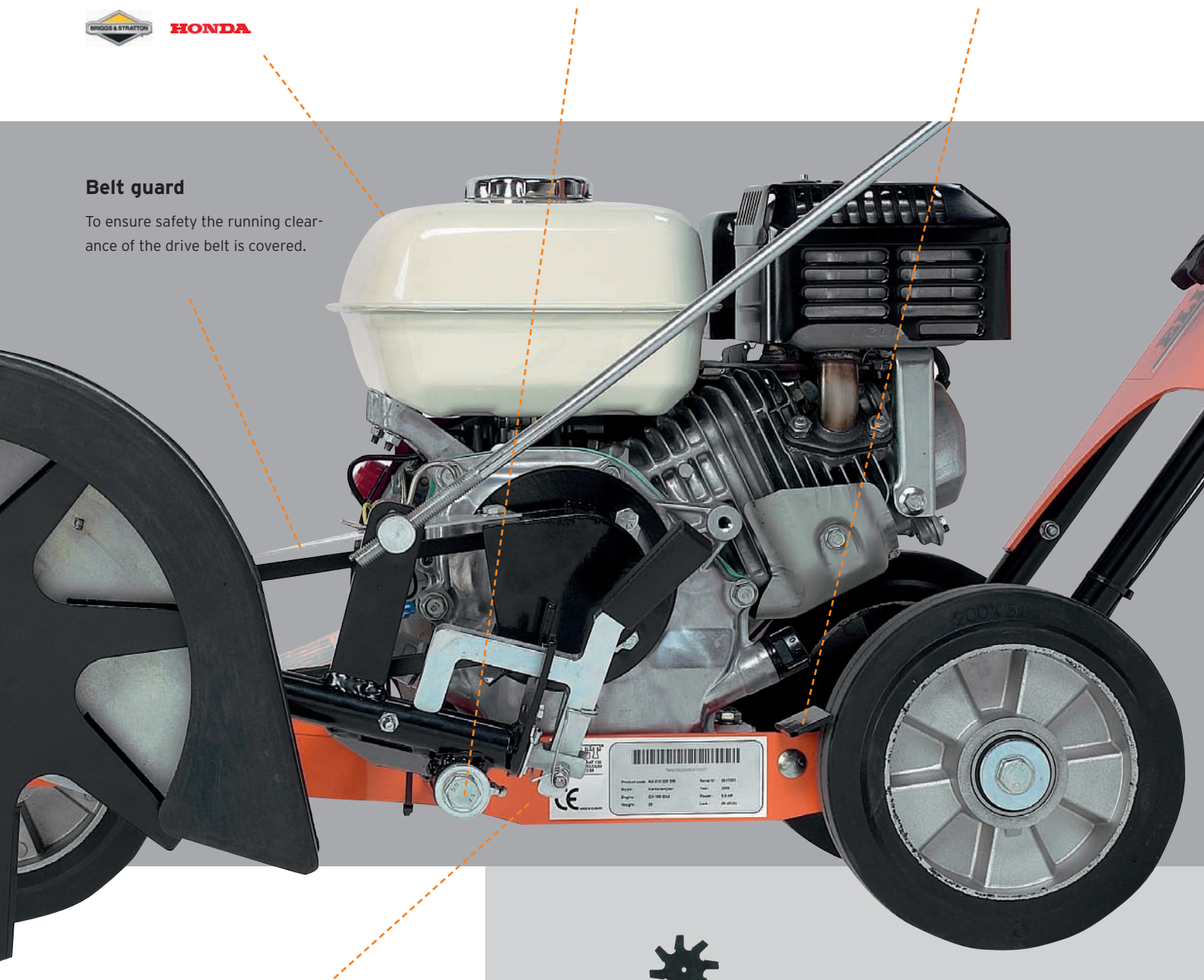
Pivots and guides are fitted with lubrication points for smooth operation in dusty conditions.

## Wheel scraper

The rear wheels have wheel scrapers fitted. These keep the tread clean so that the machine is more stable producing a clean cut.

## Belt guard

To ensure safety the running clearance of the drive belt is covered.



## All-welded chassis

In the same way as a pen must be firmly grasped in your hand in order to draw a straight line, you must also firmly grasp an edge dresser. This enables every movement of the handlebar to result in a similar movement of the blade. **At ELIET** we have also firmly decided to opt for a robust, welded frame so that any play in bolted attachments is eliminated.



## Options Eight-toothed disc

For more delicate work, the standard blade is best replaced by an eight-toothed blade. There is then less likelihood of damage to the permanent edges, especially along borders, stepping stones and kerbs.

Article No.: BU 103 200 200

## Double front wheels

A double front wheel promotes extra stability, especially when edging curved lawns. The **ELIET lawn edger** can accommodate an optional second wheel.

Article No.: MA 010 001 003



# ELIET

## lawn edger

### KS 300 PRO

## Park Departments

For municipal park departments responsible for the maintenance of parks, gardens, footpaths and cycle tracks...

"edging" can sometimes mean dozens of kilometres of lawn edges per year. In addition to performance and operator comfort, a machine should be built to be hardwearing when subjected to heavy duty cycles.

**At Eliet** we have kept these imperatives very much in mind in developing this **professional lawn edger**. This can clearly be seen from the heavy duty, 6 mm steel chassis, the extra dust seals on the blade bearings and the extra lubrication points on all moving parts. The blade is made from a durable Silicon-Chrome alloy for a 20% longer blade life. **For the KS 300 PRO** only the best engines are used by Eliet. Modern engines with overhead valves (OHV), that always start, that are protected with an oil alarm and that continue to deliver the required power after many hours of heavy use.

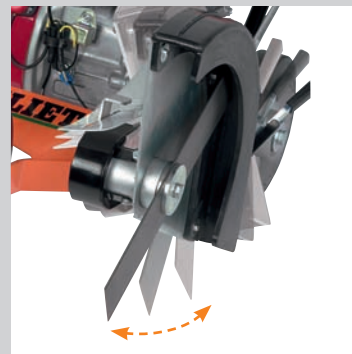
**The ELIET KS 300 PRO without any doubt, the choice of the professional !**

dealer stamp

## Details

### Blade angle adjustment

The angle of the blade can be adjusted. This enables you to cut away excess grass without damaging the structure of the lawn edges. In addition to vertical operation, the machine can also cut at 25° and 45°.



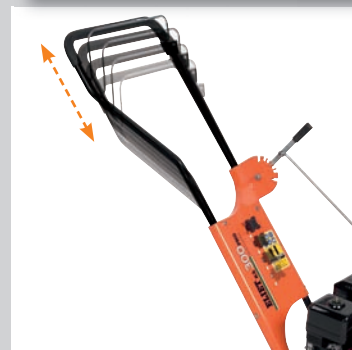
### Position of the front wheel

You can also use the ELIET lawn edger to **easily mow** curves in creative lawns. To this end, the axle of the front wheel is aligned with the blade shaft. This means that the blade follows the curve that is made by the front wheel. The operator can thus follow the curves in the lawn much more accurately.



### Stepped height adjustable handlebar.

The special shape of the handlebar enables the operator to walk directly behind the machine so that he does not damage the freshly-cut lawn edge when steering the machine in the correct direction. Operators who have a large build must also be able to adopt a comfortable work posture. **At ELIET** we have provided the handlebar of the KS 300 PRO **with a single lever 7 position height adjustment**.



## ELIET KS 300 PRO

Maximum working depth	110 mm
Angular settings	0° - 25° - 45°
Wheels	Ø 200 mm, 50 mm natural rubber tread, 45 mm ball bearings
Wheelbase width	340 mm
Handlebar	400 mm wide, 7 height positions, vibration absorbing handle grip
Dimensions (L x W x H)	1,250 x 460 x 900 mm
Weight	37 kg
Safety	Specially shaped rubber cover, nylon belt guard, dead man's handle
Sound Power Level (LwA)	94.9 dB(A) (Conforming to 2000/14/EC)
Frame	6 mm steel
Engine power	4 - 5.5 - 6.5 HP
Engine	Honda GX - B&S Intek Pro
Blade	3 mm Ø 300 mm (50 SiCr <sub>7</sub> )
Blade speed	2,550 rpm
Drive	A 32.5 Kevlar belt
Clutch	Spring-loaded linear clutch actuation

**ELIET**<sup>®</sup>  
In harmony with nature

**ELIET Europe NV**  
Diesveldstraat 2 - B-8553 Otegem - Belgium  
Phone +32 (0)56 77 70 88 - Fax +32 (0)56 77 52 13  
info@eliet.eu - [www.eliet.eu](http://www.eliet.eu)